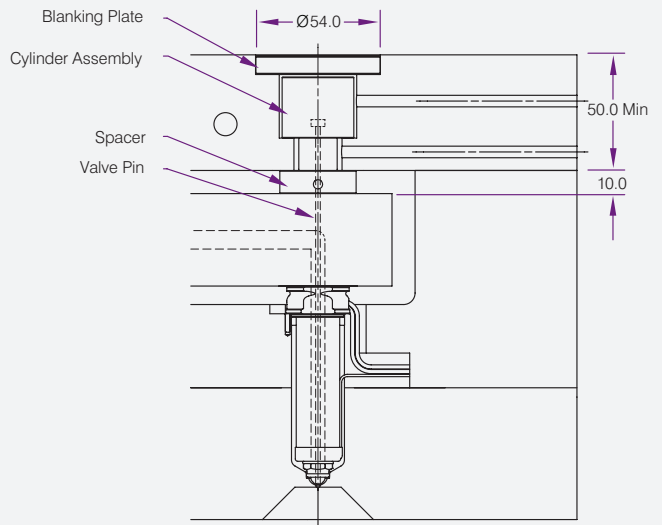
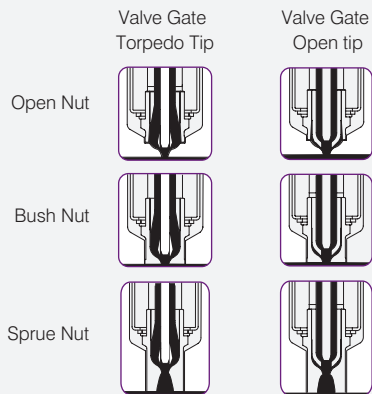


Gating Options



Valve Gate Compatibility		
	13 Series* MX / BX	16 Series MX / BX
Model	MVG25 - 2.0	MVG25 - 2.5
Actuation Type	Pneumatic	Pneumatic
Pin Size	2.0	2.5
Stroke	7	7

	13 Series		16 Series	
	MX	BX	MX	BX
L	45	45	45	45
	55	55	55	55
	65	65	65	65
	75	75	75	75
	95	95	95	95
	115	115	115	115
	145	145	145	145
	175	175	175	175
A/F	24	31	26	34
d1	10	10	12	12
d2	28	34	30	38
d3	22.9	27	24.9	30
L4	12	12	12	12

* 13 Series available in open nut and open tip only