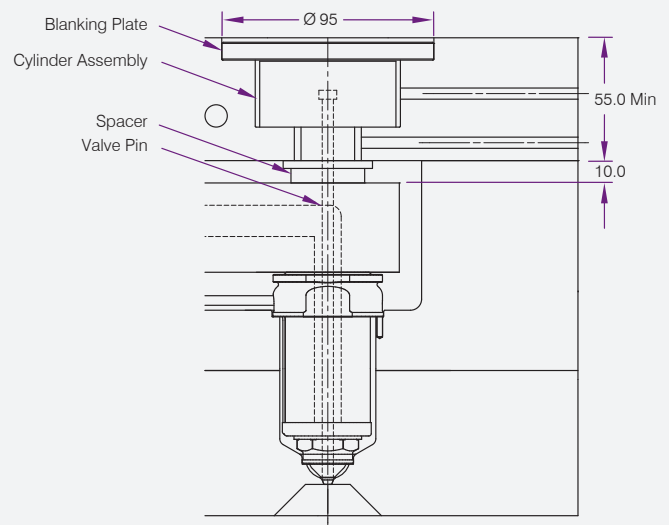
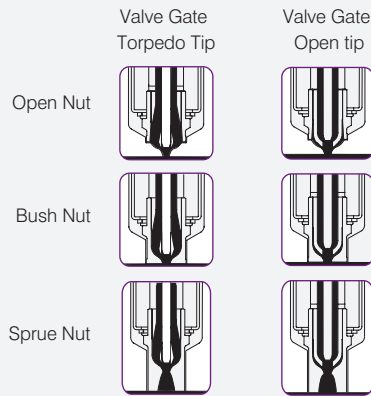


Gating Options



| Valve Gate Assembly | |
|-----------------------|---------------------|
| | 27 Series BX |
| Model | MVG55 - 5.0 |
| Actuation Type | Pneumatic |
| Pin Size | 5.0 |
| Stroke | 10 |

| | 27 Series |
|----|-----------|
| | BX |
| L | 75 |
| | 95 |
| | 115 |
| | 145 |
| | 175 |
| | 225 |
| | 275 |
| | A/F |
| d1 | 23 |
| d2 | 50 |
| d3 | 43 |
| L4 | 10 |