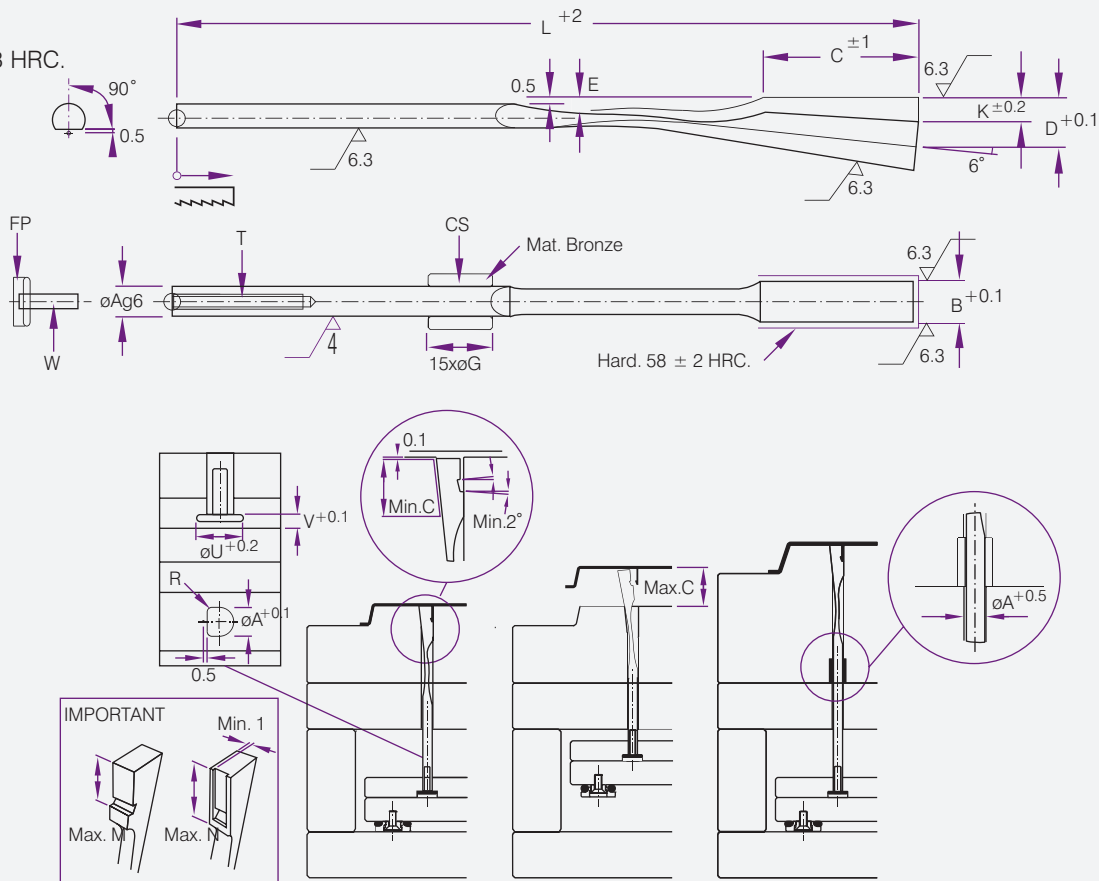




Mat.:1.8159
 Hardened: 45 ± 3 HRC.
 Patented System



Minimum space required for installation, only needs the space of an ejector. No milling, grinding or hardening other than the machining of detail needed. All machining is made 90° to the parting line. No need for complex mechanical systems.

Product Code	A	B	C	D	E	G	K	L	M	N	R	T	U	V	W	CS
PW060622	6	6.2	22	9	3.5	12	3.5	125	16	18	1.25	M4x36	12	5	M4x16 (DIN7991)	
PW060630	6	6.2	30	10	3.5	12	4.5	175	20	26	1.25	M4x36	12	5	M4x16 (DIN7991)	•
PW060822	6	8.2	22	9	3.5	12	3.5	125	16	18	1.25	M4x36	12	5	M4x16 (DIN7991)	
PW060830	6	8.2	30	10	3.5	12	4.5	175	20	26	1.25	M4x36	12	5	M4x16 (DIN7991)	•
PW080825	8	8.2	25	11.5	4.5	12	4.5	140	18	21	2	M5x36	14	6	M5x16 (DIN7984)	
PW081025	8	10.2	25	11.5	4.5	12	4.5	140	18	21	2	M5x36	14	6	M5x16 (DIN7984)	
PW081030	8	10.2	30	11.2	4.5	12	4.5	175	20	26	2	M5x36	14	6	M5x16 (DIN7984)	
PW081225	8	12.2	25	11.5	4.5	12	4.5	140	18	21	2	M5x36	14	6	M5x16 (DIN7984)	
PW081230	8	12.2	30	11.2	4.5	12	4.5	175	20	26	2	M5x36	14	6	M5x16 (DIN7984)	
PW101430	10	14.2	30	13.6	5.5	16	5.5	175	20	26	2.5	M6x36	18	8	M6x16 (DIN7984)	•
PW101630	10	16.2	30	13.6	5.5	16	5.5	175	20	26	2.5	M6x36	18	8	M6x16 (DIN7984)	•
PW101830	10	18.2	30	13.6	5.5	16	5.5	175	20	26	2.5	M6x36	18	8	M6x16 (DIN7984)	•