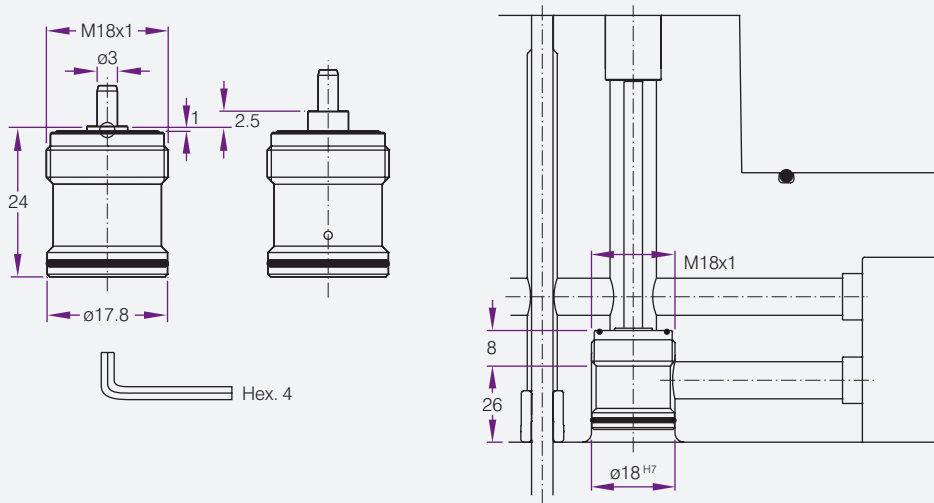


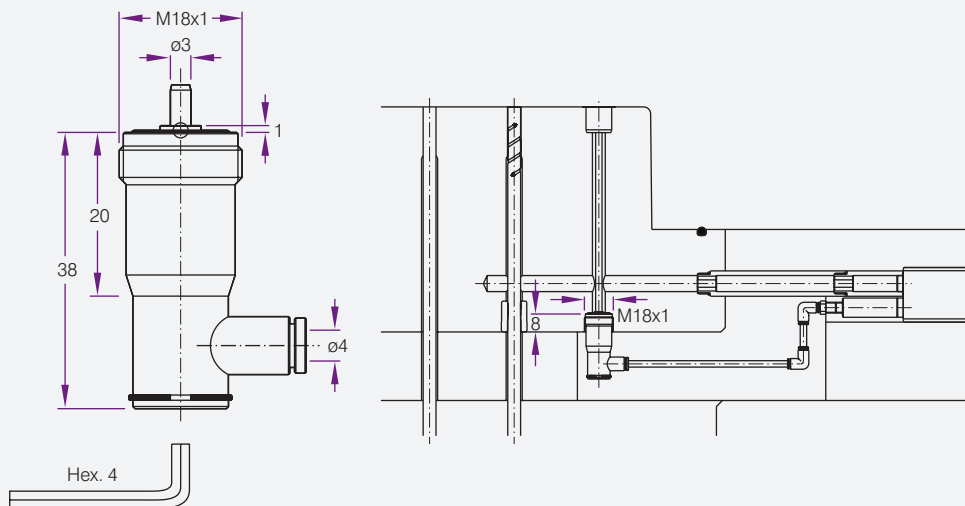


Material: Brass
Maximum working temperature: 150°C
 Patented System

PT1
 Directly connected to the Vacuumjet unit through a circuit in the plate.



PT2
 Can be connected through flexible tubes to the Vacuumjet unit, simplifying the assembly in difficult places.



Product Code	Type
PT.182403	PT1
PT.183803	PT2