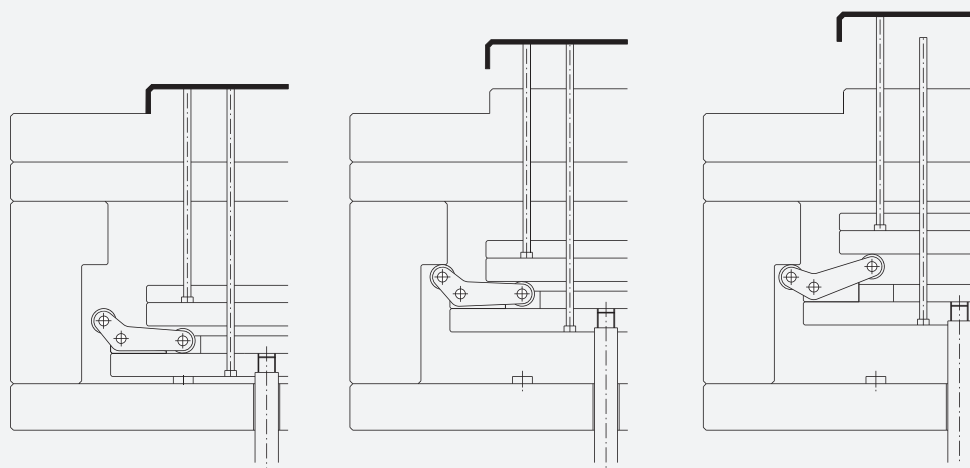


Simple mechanical double ejection system. Minimum space required for installation. Avoids complex systems like others currently available in the market. Offers a standard solution to the mold.



Product Code	A	B	C	D	E	F	G	H max.	L max.	M	N	P	T	Max. Force
EP200813	20	8	13.2	25.8	9.4	11.4	6	13.6	5.5	5	15	Ø2.5 x10	M3x12	75 kg
EP251016	25	10	16	32.3	11.8	14.3	7	17	6.8	6	18.5	Ø3 x12	M4x16	125 kg
EP371522	37.5	15	22	48.5	17.7	21.5	10.5	25.5	10.2	8	25	Ø4 x16	M6x25	250 kg
EP502030	50	20	30	64.6	23.6	28.6	14	34	13.6	10	34	Ø5 x20	M8x30	500 kg