

Waterways (mark with "X")      Yes  No

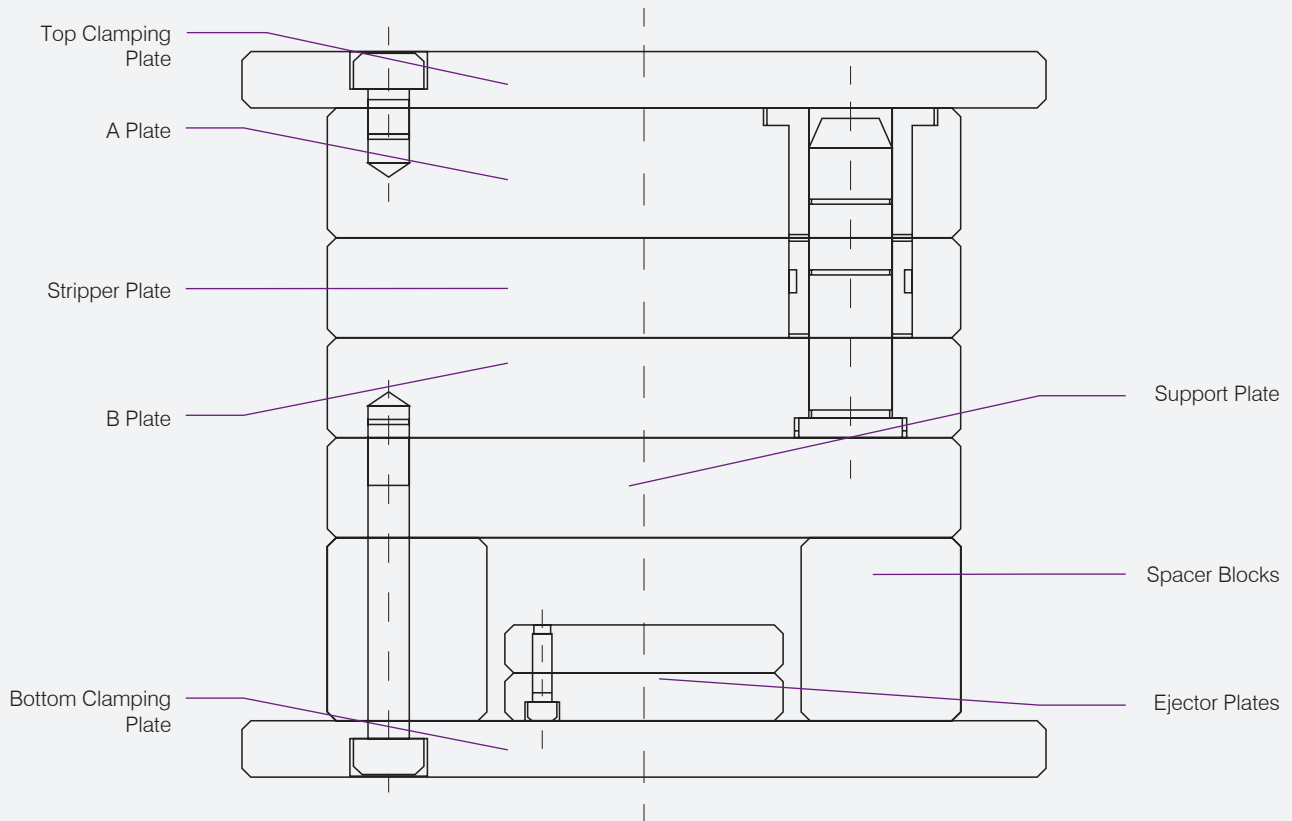
Waterways Tapped (mark with "X")      Yes  No

Pockets (mark with "X")      Yes  No

Item No.	Description	Material JIS	Width x Length x Height or Diameter
1	Top Clamping Plate		
2	Cavity Plate (A)		
3	Stripper Plate		
4	Core Plate (B)		
5	Support Plate		
6	Spacer Block		
7	Bottom Clamping Plate		
8	Ejector Retainer Plate (A)		
9	Ejector Plate (B)		
10	Guide Pin		
11	Guide Bush (A)		
12	Guide Bush (B)		
13	Return Pin		
14	Socket Head Cap Screw		
15	Lifting Hole		

Name: ..... Company: .....

Telephone: ..... Email: .....



All standard mould bases 600mm x 600mm and over have lifting holes.  
 For non standard mould base quotes please refer to last page for size specification template.

Plate Type	Material	Thickness Tolerance	Length Tolerance	Width Tolerance
Top Clamping Plate	SC50	+0.5/0	+0.3/+0.1	+0.4/+0.1
A Plate	2311 or equivalent	+0.5/0	+1./+0.3	+1.0/+0.3
Stripper Plate (C Type)	2311 or equivalent	+0.5/0	+0.3/+0.1	+0.4/+0.1
B Plate	2311 or equivalent	+0.5/0	+1./+0.3	+1.0/+0.3
Support Plate	SC50	+0.5/0	+0.3/+0.1	+0.4/+0.1
Spacer Blocks	SC50	(a) 300mm or less (b) 25 series = +/-0.8 (d) 45 series plus = +0/-1.2	+0.3/+0.1  +0.17/+0.13	(a) 15-20 series = +0/-0.5
Ejector Plates	SC50	+0.5/0	+0.3/+0.1	+0.4/+0.1
Bottom Clamping Plate	SC50	+0.5/0	+0.3/+0.1	+0.4/+0.1

Due to safety reasons, some assembled mould bases now come with lifting holes. Please enquire with your sales person before confirming order.