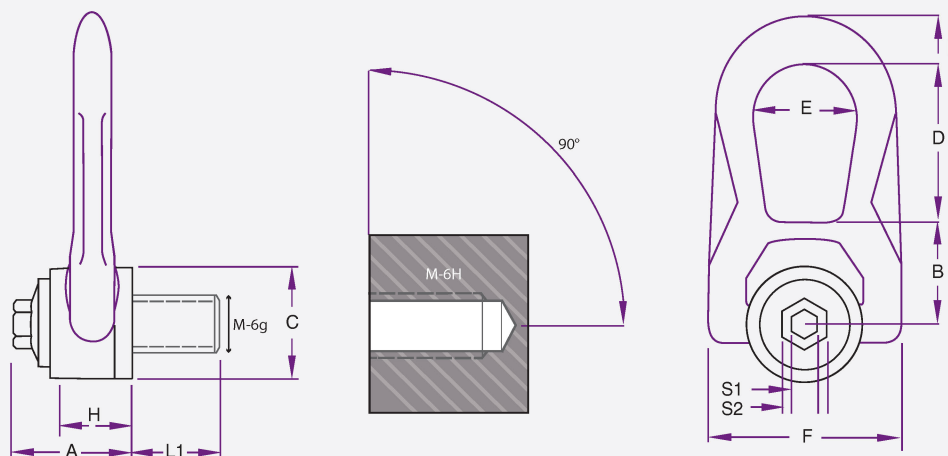




- European Quality
- Higher working load limits
- Full double swivel action giving greater flexibility and functionality
- Customisation of thread types and bolt lengths available in Australia
- Easier to use in more applications
- Eliminates the issues of offset loading with other swivel lifting points



Metric																
Product Code	Dia.Ø	SF 5:1 WLL F1 (t)	SF 4:1 WLL F2 (t)	Standard L1(mm)	S1	S2	A	B	C	D	E	F	G	H	TORQUE (Nm)	NET WEIGHT (KG)
EYE08-DSR	M8 (x1.25)	0.40	0.50	15	8	16	33	30	30	38	27	14	53	9.5	6	0.3
EYE10-DSR	M10 (x1.5)	0.70	0.90	18	8	16	33	30	30	38	27	14	53	9.5	10	0.3
EYE12-DSR	M12 (x1.75)	1.05	1.30	21	8	16	33	30	30	38	27	14	53	9.5	15	0.3
EYE16-DSR	M16 (x2)	2.00	2.30	27	8	20	45	40	45	53	38	17	76	13	50	0.9
EYE20-DSR	M20 (x2.5)	2.50	2.50	30	8	20	45	40	45	53	38	17	76	13	100	0.9
EYE22-DSR	M22 (x2.5)	3.50	4.50	33	14	24	62	55	60	83	55	25	115	19	120	2.6
EYE24-DSR	M24 (x3)	4.40	5.50	36	14	24	62	55	60	83	55	25	115	19	160	2.6
EYE27-DSR	M27 (x3)	5.70	6.00	40	14	24	62	55	60	83	55	25	115	19	200	2.7
EYE30-DSR	M30 (x3.5)	6.00	6.30	45	14	24	62	55	60	83	55	25	115	19	250	2.7

More sizes available on request.