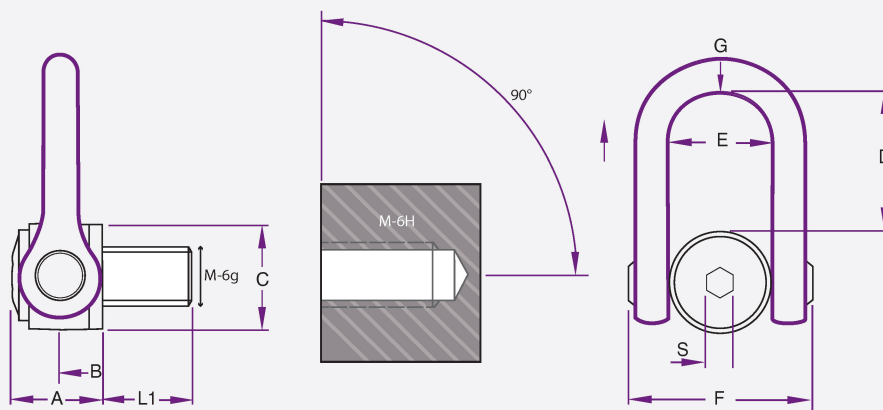




- European Quality
- Higher working load limits
- Full double swivel action giving greater flexibility and functionality
- Customisation of thread types and bolt lengths available in Australia
- Easier to use in more applications
- Eliminates the issues of offset loading with other swivel lifting points



Metric														
Product Code	Dia.Ø	SF 5:1 WLL F1 (t)	SF 4:1 WLL F2 (t)	Standard L1(mm)	S	A	B	C	D	E	F	G	TORQUE (Nm)	NET WEIGHT (KG)
EYE33-DSS	M33 (x3.5)	8.50	10.50	50	19	61	31	70	98	73	149	33	250	5.5
EYE36-DSS	M36 (x4)	11.00	12.00	54	19	61	31	70	98	73	149	33	320	5.5
EYE42-DSS	M42 (x4.5)	13.00	15.00	63	19	61	31	70	98	73	149	33	400	5.8
EYE48-DSS	M48 (x5)	17.00	20.00	68	19	79	38	90	123	91	182	45	600	11.0
EYE64-DSS	M64 (x6)	25.00	32.10	90	19	79	38	95	123	91	182	45	600	12.2

More sizes available on request.