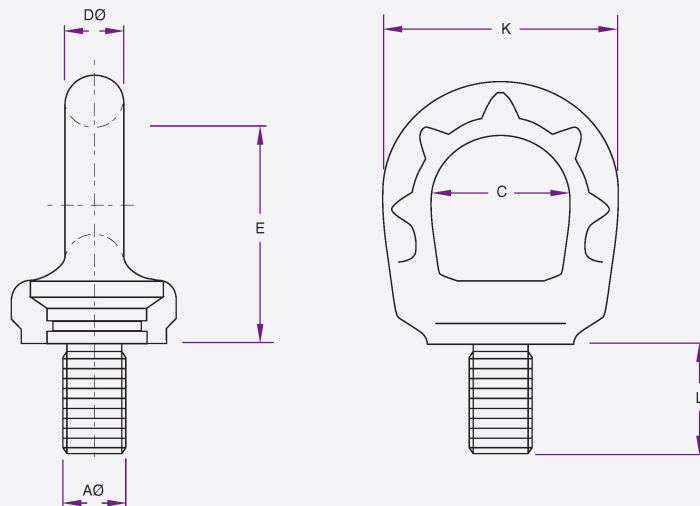




- Forged from high tensile alloy steel
- Tempered
- Electromagnetic crack detection to AS1171
- Hi-visibility powder coating to AS4506
- Manufactured exclusively from Australian Made Steel



WLL (WORKING LOAD LIMIT)

- Each eyebolt is clearly stamped with the permitted F2 WLL.
- F2 WLL - indicates safe use for non-axial lifts.
- F1 WLL - indicates loads which are in line with the axis of the threaded end of the eyebolt. F1 WLL allows up to four (4) times higher lifting capacity whilst maintaining a 4:1 design factor of safety

Product Code	AØ	Metric							TORQUE (Nm)	NET WEIGHT (KG)
		SF 5:1 WLL F1 (t)	SF 4:1 WLL F2 (t)	C	D	E	K	L		
EYE10-G10	M10	1t	0.4t	30	11	43	55	15	14	0.23
EYE12-G10	M12	2t	0.75t	30	11	43	55	18	22	0.23
EYE16-G10	M16	4t	1.5t	34	14	49	64	24	60	0.38
EYE20-G10	M20	6t	2.3t	39	16	56	69	30	105	0.60
EYE24-G10	M24	8t	3.2t	50	19	71	86	36	182	1.10

More sizes available on request.