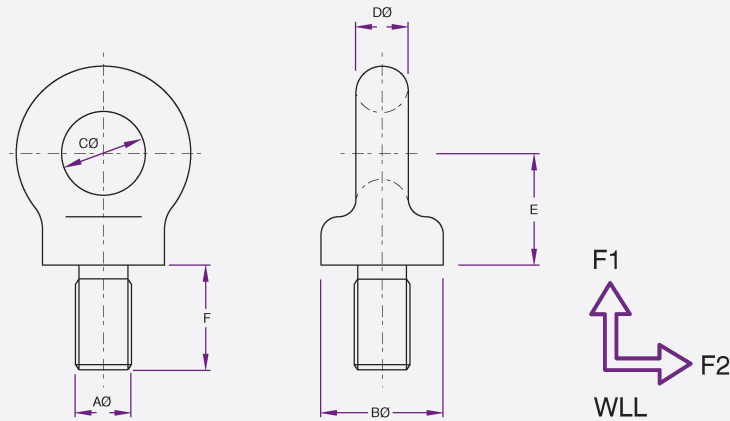




Manufactured using only heat certified Australian Steel



WLL (WORKING LOAD LIMIT)

- Each eyebolt is clearly stamped with the permitted F2 WLL.
- F2 WLL - indicates safe use for non-axial lifts.
- F1 WLL - indicates loads which are in line with the axis of the threaded end of the eyebolt. F1 WLL allows up to four (4) times higher lifting capacity whilst maintaining a 6:1 design factor of safety

Metric									
Product Code	AØ	WLL F1 (t)	WLL F2 (t)	BØ	CØ	DØ	E	F	NET WEIGHT (KG)
EYE10	M10	0.25t	0.06t	21	14	9	19	17	0.06
EYE12	M12	0.4t	0.1t	28	18	11	24	21	0.15
EYE16	M16	0.8t	0.2t	35	23	14	31	27	0.28
EYE20	M20	1.6t	0.4t	42	30	16	35	38	0.46
EYE24	M24	2.5t	0.62t	57	38	22	48	42	1.10
EYE30	M30	4t	1t	71	49	27	65	52	2.10
EYE36	M36	6.3t	1.57t	87	53	35	73	64	3.70
EYE42	M42	8t	2t	102	66	40	90	76	6.30

Imperial									
Product Code	AØ	WLL F1 (t)	WLL F2 (t)	BØ	CØ	DØ	E	F	NET WEIGHT (KG)
EYEI24	3/8"	0.25	0.06	21	14	9	19	17	0.06
EYEI32	1/2"	0.4	0.1	28	18	11	24	21	0.15
EYEI40	5/8"	0.8	0.2	35	23	14	31	27	0.28
EYEI48	3/4"	1.6	0.4	42	30	16	35	38	0.46
EYEI56	7/8"	2	0.5	50	32	20	41	41	0.85
EYEI64	1"	2.5	0.62	57	38	22	48	42	1.10

More sizes available on request.