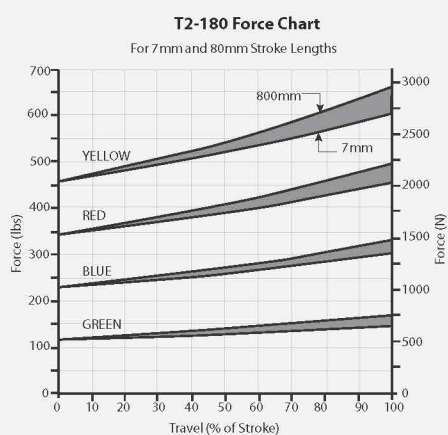
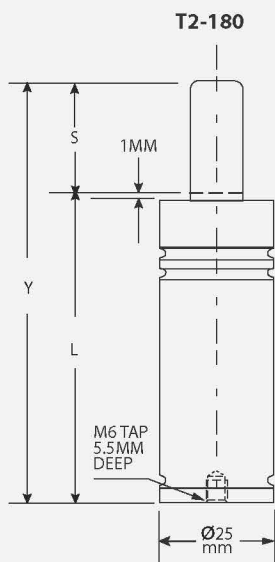




Product Specifications	
Pressure Medium	Nitrogen Gas
Charging Pressure Range	Max.: 180 bar / 2610 psi Min.: 25 bar / 360 psi
Force Increase By Temperature	±0.3 % / °C
Max. Charging Pressure (bar at 20°C)	180
Min. Operating Temperature	0°C
Max. Operating Temperature	80°C
Max. Stroke / Minute	80-100 at 20°C
Max. Piston Rod Velocity	96 m/min.
Max. Utilised Stroke	100%
Repair Kit	T2SK2-180
Inlet Valve	4018112



T2-180 Contact Force				
Colour	Charge Pressure		Contact Force	
	bar	psi	N	lbs
YELLOW	180	2610	2036	458
RED	135	1960	1527	343
BLUE	90	1305	1018	229
GREEN	45	655	509	114
BLACK*	25-180	363-2610	280-2036	63-458



T2-180 Dimensional Information						
Product Code	Stroke Lengths		Y		L	
	mm	inch	mm	inch	mm	inch
T2-180X7	7	0.28	56	2.20	49	1.93
T2-180X10	10	0.39	62	2.44	52	2.05
T2-180X12.7	12.7	0.50	67.4	2.65	54.7	2.15
T2-180X15	15	0.59	72	2.83	57	2.24
T2-180X16	16	0.63	74	2.91	58	2.28
T2-180X25	25	0.98	92	3.62	67	2.64
T2-180X38	38.1	1.50	118.2	4.65	80.1	3.15
T2-180X50	50	1.97	142	5.59	92	3.62
T2-180X63	63.5	2.50	172	6.65	108.5	4.15
T2-180X75	75	2.95	195	7.68	120	4.72
T2-180X80	80	3.15	205	8.07	125	4.92
T2-180X100	100	3.94	245	9.65	145	5.71
T2-180X125	125	4.92	295	11.61	170	6.69



All gas springs shipped at maximum charge pressure unless otherwise specified.

Note:
Hyson products recommends that T2 Gas Springs are backed up at all times.

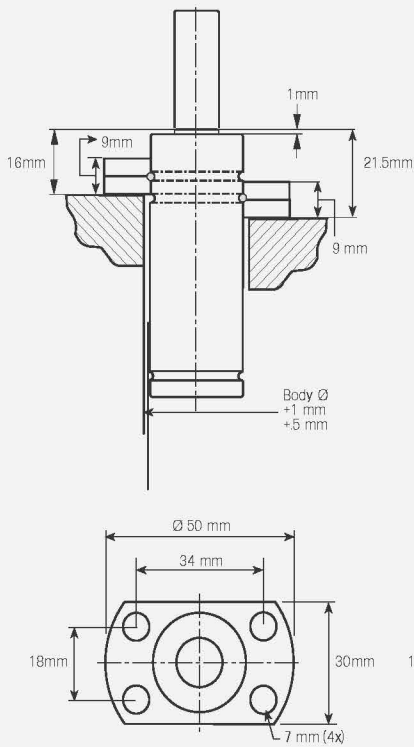
Stroke Length of 25mm or greater should be base or flange mounted

All dimensions are nominal. Data shown are typical.
Actual data for any particular unit may vary.

**T2-180
Ordering Options**

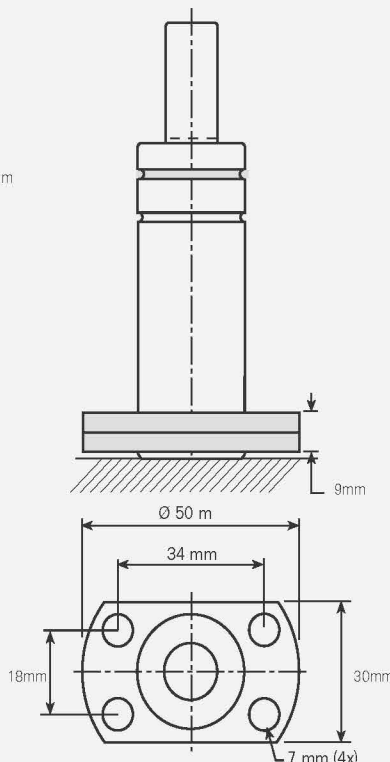
T2-180X100	-	Blue
Model X Stroke		Color
See Dimensional Information Chart		Yellow Red Blue Green Black

**Top Mount
T2-180-FCR**



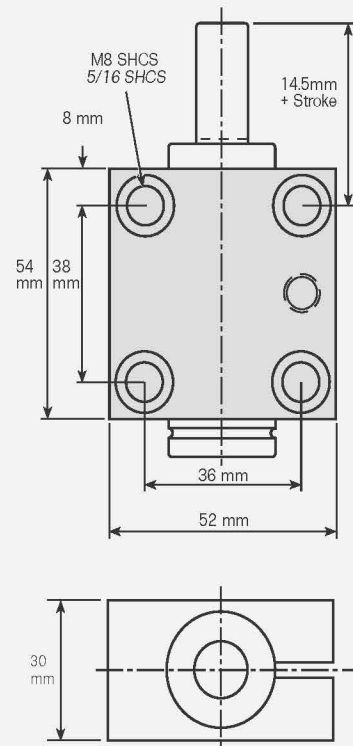
Flange sold separately.

**Bottom Mount
T2-180-FCR**



Flange sold separately.

**Side Mount
T2-180-SM**



Flange sold separately.