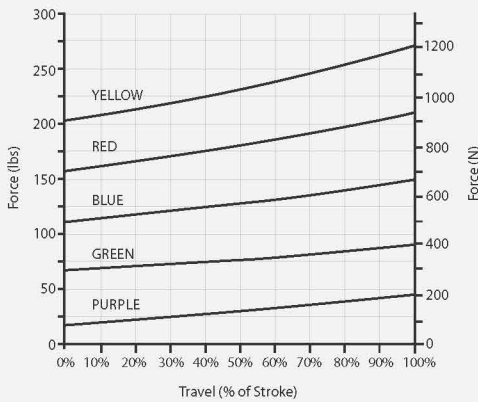




Product Specifications

Pressure Medium	Nitrogen Gas
Charging Pressure Range	Max.: 180 bar / 2610 psi Min.: 18 bar / 260 psi
Force Increase By Temperature	±0.3 % / °C
Max. Charging Pressure (bar at 20°C)	180
Min. Operating Temperature	0°C
Max. Operating Temperature	80°C
Max. Stroke / Minute	100-150 at 20°C
Max. Piston Rod Velocity	96 m/min.
Max. Utilised Stroke	100%
Repair Kit	Not Repairable
Inlet Valve	4018112

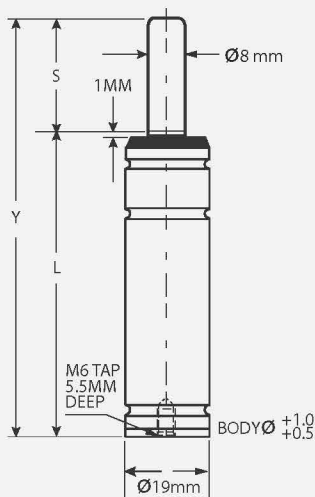
T2-90 Force Chart



T2-90 Contact Force

Colour	Charge Pressure		Contact Force	
	bar	psi	N	lbs
YELLOW	180	2610	905	203
RED	140	2030	704	158
BLUE	100	1450	503	113
GREEN	60	870	302	68
PURPLE	18	260	89	20
BLACK*	18-180	260-2610	89-905	20-203

T2-90



T2-90 Dimensional Information

Product Code	Stroke Lengths		Y		L	
	mm	inch	mm	inch	mm	inch
T2-90X7	7	0.28	56	2.20	49	1.93
T2-90X10	10	0.39	62	2.44	52	2.05
T2-90X15	15	0.59	72	2.83	57	2.24
T2-90X25	25	0.98	92	3.62	67	2.64
T2-90X38	38.1	1.50	118.2	4.65	80.1	3.15
T2-90X50	50	1.97	142	5.59	92	3.62
T2-90X63	63.5	2.50	169	6.65	105.5	4.15
T2-90X80	80	3.15	205	8.07	125	4.92
T2-90X100	100	3.94	245	9.65	145	5.71
T2-90X125	125	4.92	295	11.61	170	6.69

*Custom Pressure: Please specify charging pressure or contact force required.



All gas springs shipped at maximum charge pressure unless otherwise specified.

Note:
Hyson products recommends that T2 Gas Springs are backed up at all times.

Stroke Length of 25mm or greater should be base or flange mounted

All dimensions are nominal. Data shown are typical.
Actual data for any particular unit may vary.

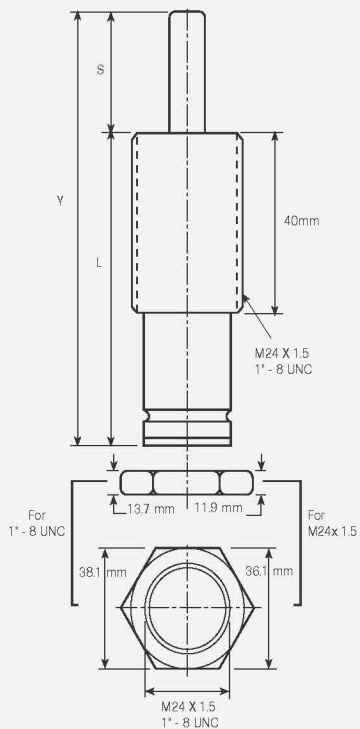
**T2-90
Ordering Options**

T2-90X50	-	TE	-	Red
Model X Stroke		Mount		Color
See Dimensional Information Chart		TE TM		Yellow Red Blue Green Purple Black

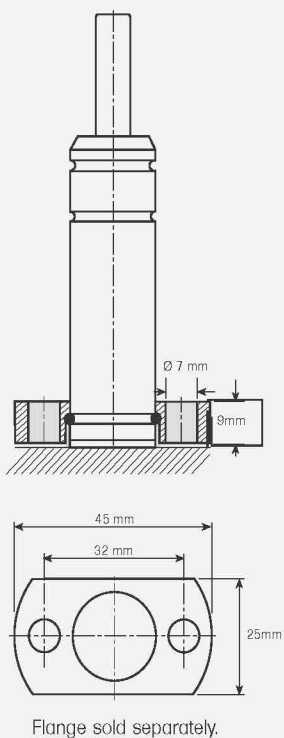


Installation Tool for T2-90 Order No. 503497

**Threaded Body Mount
TE-TM**



**Range Mount
T2-90-FM**



**Top Mount
T2-90-FCR**

