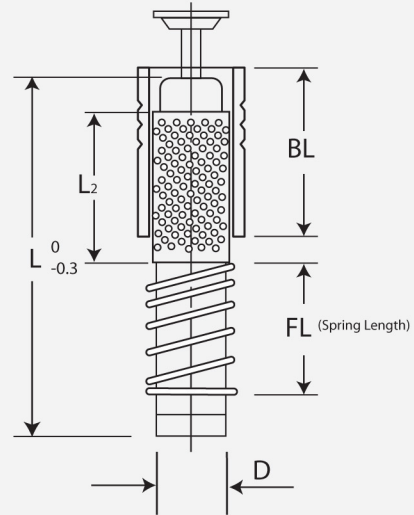




Ball Bearing Pins And Bushes Offer Distinct Advantages
 Difficulty of assembly and disassembly of diesets are eliminated.
 Lubrication problems are almost entirely eliminated.
 Perfect alignment increases die life.



Code	D		L												BL	FL	L2	
PPS	20	100	110	120	130	140	150	160	170	180					L50	40 - 140	50	
	22			120	130	140	150	160	170	180					L50 L60	40 - 140	50 60	
	25			120	130	140	150	160	170	180					L60 L80	40 - 150	60 75	
	28					140	150	160	170	180	190	200			L60 L80	50 - 150	60 75	
	32							160	170	180	190	200	220	240	L80 L100	70 - 190	75 90	
	38									180	190	200	220	240	260	L80 L100	80 - 190	75 90
	45									180	190	200	220	240	260	L100 L120	80 - 190	90 110
	50											200	220	240	260	L100 L120	80 - 190	90 110

Product Code	Description
PPS25-16-L8-15	25 X 160 Ball Bearing Assembly
PPS25-18-L8-15	25 X 180 Ball Bearing Assembly
PPS32-18-L10-19	32 X 180 Ball Bearing Assembly
PPS32-20-L10-19	32 X 200 Ball Bearing Assembly
PPS38-20-L10-19	38 X 200 Ball Bearing Assembly
PPS38-24-L10-19	38 X 240 Ball Bearing Assembly

Ordering Example

Code No.	L	BL	FL	
PPS22	-- 120	-- L50	-- 40	
Ordering Code	PPS22	12	L5	4