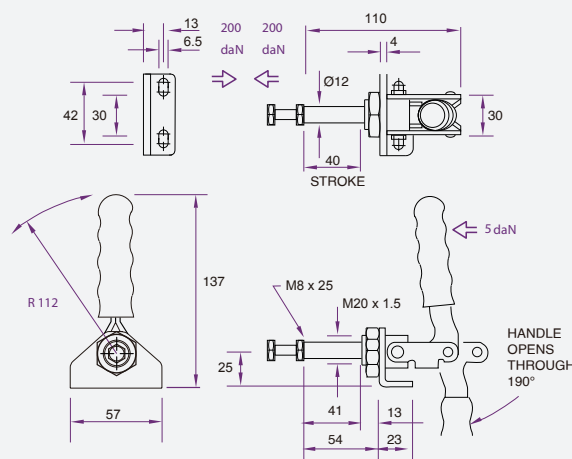


| Product Code | Holding Force | Weight | Handle Opening Angle |
|--------------|---------------|--------|----------------------|
| P100         | 100 daN       | 0.15KG | 190°                 |



| Product Code | Holding Force | Weight | Handle Opening Angle |
|--------------|---------------|--------|----------------------|
| P200         | 200 daN       | 0.35KG | 190°                 |