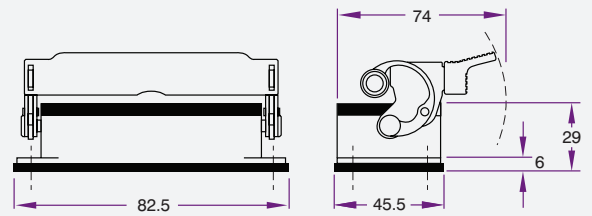




CHI 06L

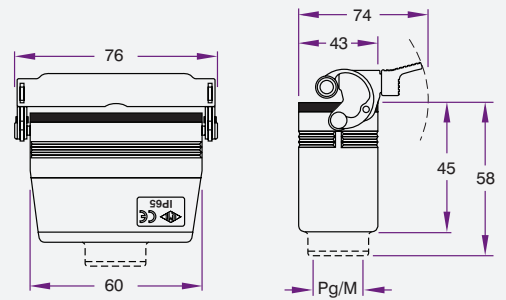


Product Code

CHI06L



MGV 06 LG25



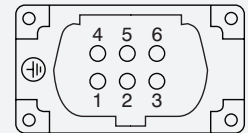
Product Code

MGV06LG25



CNEM 06 T

Male Insert
6 Pin
16 Amp
400 Volt



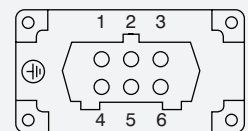
Product Code

CNEM06T



CNEF 06 T

Female Insert
6 Pin
16 Amp
400 Volt



Product Code

CNEF06T