

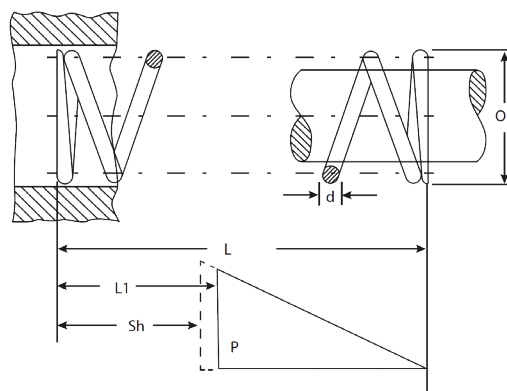


SPEC compression springs provide design engineers, draughtsmen, production and maintenance departments with precision-engineered springs in an economical and time saving way.

The SPEC service saves time and therefore money as design work and calculations are no longer required.

- Music wire ex-stock
- Stainless available upon request

Hales Australia is the official distributor for the SPEC Spring Range.



ProductCode	Outside Dia. (OD)	Wire Dia (d).	Free Length (L) Approx.	Load Length (L1)	Solid Height (Sh) Approx.	Load (P) at L1	Spring Rate (R)
	mm	mm	mm	mm	mm	mm	mm
C0120-014-0310	3.05	0.36	7.87	4.24	2.97	5.47	1.51
C0120-014-0500	3.05	0.36	12.70	6.68	4.27	5.47	0.91
C0120-014-0750	3.05	0.36	19.05	9.78	5.97	5.47	0.60
C0120-014-1000	3.05	0.36	25.40	12.90	7.65	5.47	0.44
C0120-014-1250	3.05	0.36	31.75	16.05	9.35	5.47	0.35
C0120-014-1500	3.05	0.36	38.10	19.71	11.02	5.47	0.30
C0120-016-0500	3.05	0.41	12.70	7.11	5.28	8.18	1.45
C0120-016-1250	3.05	0.41	31.75	17.15	11.76	8.18	0.56
C0120-016-1500	3.05	0.41	38.10	21.41	13.82	8.18	0.49
C0120-018-0500	3.05	0.46	12.70	7.75	6.30	11.39	2.29
C0120-018-0750	3.05	0.46	19.05	11.38	9.12	11.39	1.49
C0120-018-1250	3.05	0.46	31.75	19.00	14.20	11.39	0.89
C0120-018-1500	3.05	0.46	38.10	22.61	16.84	11.39	0.74
C0120-020-0500	3.05	0.51	12.70	8.59	7.24	14.72	3.57
C0120-020-0750	3.05	0.51	19.05	12.70	10.34	14.72	2.31
C0120-020-1000	3.05	0.51	25.40	16.81	13.46	14.72	1.72
C0120-020-1250	3.05	0.51	31.75	20.93	16.56	14.72	1.37
C0120-020-1500	3.05	0.51	38.10	25.02	19.66	14.72	1.12
C0120-022-0500	3.05	0.56	12.70	9.04	8.10	19.93	5.45
C0120-022-0750	3.05	0.56	19.05	13.41	11.71	19.93	3.54
C0120-022-1000	3.05	0.56	25.40	17.65	15.24	19.93	2.57
C0120-022-1250	3.05	0.56	31.75	22.02	18.77	19.93	2.05
C0148-023-0440	3.76	0.58	11.18	7.37	6.22	17.97	4.71
C0148-023-1000	3.76	0.58	25.40	16.15	12.57	17.97	1.94
C0180-012-1500	4.57	0.30	38.10	15.24	4.37	2.40	0.11
C0180-014-0500	4.57	0.36	12.70	5.33	2.54	3.74	0.51
C0180-014-0750	4.57	0.36	19.05	7.82	3.30	3.74	0.33
C0180-014-1000	4.57	0.36	25.40	10.16	4.09	3.74	0.25
C0180-014-1250	4.57	0.36	31.75	12.34	4.85	3.74	0.19
C0180-014-1500	4.57	0.36	38.10	14.40	5.64	3.74	0.16
C0180-016-0500	4.57	0.41	12.70	5.21	3.15	5.56	0.74
C0180-016-0750	4.57	0.41	19.05	7.62	4.24	5.56	0.49
C0180-016-1000	4.57	0.41	25.40	10.97	5.18	5.56	0.39
C0180-016-1250	4.57	0.41	31.75	13.08	6.22	5.56	0.30
C0180-016-1500	4.57	0.41	38.10	15.42	7.24	5.56	0.25
C0180-018-0500	4.57	0.46	12.70	6.07	3.66	7.83	1.17
C0180-018-0750	4.57	0.46	19.05	8.20	5.26	7.83	0.72
C0180-018-1000	4.57	0.46	25.40	11.43	6.40	7.83	0.56
C0180-018-1250	4.57	0.46	31.75	14.55	7.70	7.83	0.46
C0180-018-1500	4.57	0.46	38.10	16.81	9.02	7.83	0.37
C0180-018-1750	4.57	0.46	44.45	19.61	10.31	7.83	0.32

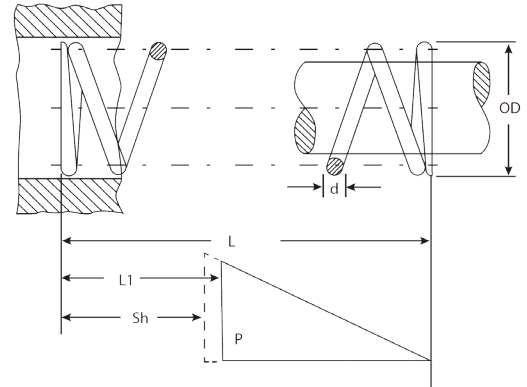


SPEC compression springs provide design engineers, draughtsmen, production and maintenance departments with precision-engineered springs in an economical and time saving way.

The SPEC service saves time and therefore money as design work and calculations are no longer required.

- Music wire ex-stock
- Stainless available upon request

Hales Australia is the official distributor for the SPEC Spring Range.



ProductCode	Outside Dia. (OD)	Wire Dia (d).	Free Length (L) Approx.	Load Length (L1)	Solid Height (Sh) Approx.	Load (P) at L1	Spring Rate (R)
	mm	mm	mm	mm	mm	mm	mm
C0180-020-0500	4.57	0.51	12.70	6.68	4.47	10.19	1.70
C0180-020-0750	4.57	0.51	19.05	9.75	6.07	10.19	1.10
C0180-020-1000	4.57	0.51	25.40	12.83	7.67	10.19	0.81
C0180-020-1500	4.57	0.51	38.10	18.72	10.90	10.19	0.53
C0180-020-1750	4.57	0.51	44.45	22.05	12.50	10.19	0.46
C0180-022-0500	4.57	0.56	12.70	7.11	4.88	13.92	2.49
C0180-022-0750	4.57	0.56	19.05	9.88	7.11	13.92	1.52
C0180-022-1000	4.57	0.56	25.40	13.16	9.02	13.92	1.14
C0180-022-1250	4.57	0.56	31.75	16.46	10.92	13.92	0.91
C0180-022-1500	4.57	0.56	38.10	19.61	12.85	13.92	0.75
C0180-024-0250	4.57	0.61	6.35	4.06	3.63	16.95	7.40
C0180-024-0310	4.57	0.61	7.87	4.90	4.17	16.95	5.71
C0180-024-0380	4.57	0.61	9.65	5.89	4.80	16.95	4.50
C0180-024-0440	4.57	0.61	11.18	6.73	5.33	16.95	3.82
C0180-024-0500	4.57	0.61	12.70	7.57	5.89	16.95	3.31
C0180-024-0560	4.57	0.61	14.22	8.41	6.43	16.95	2.92
C0180-024-0620	4.57	0.61	15.75	9.27	6.96	16.95	2.61
C0180-024-0750	4.57	0.61	19.05	11.10	8.13	16.95	2.14
C0180-024-0880	4.57	0.61	22.35	12.93	9.30	16.95	1.80
C0180-024-1000	4.57	0.61	25.40	14.61	10.36	16.95	1.58
C0180-024-1120	4.57	0.61	28.45	16.28	11.43	16.95	1.40
C0180-024-1250	4.57	0.61	31.75	18.11	12.60	16.95	1.24
C0180-024-1500	4.57	0.61	38.10	21.64	14.86	16.95	1.03
C0180-024-1750	4.57	0.61	44.45	25.15	17.09	16.95	0.88
C0180-024-2000	4.57	0.61	50.80	28.68	19.33	16.95	0.77
C0180-026-0500	4.57	0.66	12.70	7.92	6.27	22.37	4.69
C0180-026-0750	4.57	0.66	19.05	11.56	8.94	22.37	2.98
C0180-026-1000	4.57	0.66	25.40	14.94	11.71	22.37	2.14
C0180-026-1250	4.57	0.66	31.75	18.57	14.27	22.37	1.70
C0180-026-1500	4.57	0.66	38.10	22.12	16.84	22.37	1.40
C0180-026-2000	4.57	0.66	50.80	29.13	21.97	22.37	1.03
C0180-032-0500	4.57	0.81	12.70	9.25	8.10	39.28	11.36
C0180-032-0750	4.57	0.81	19.05	13.61	11.58	39.28	7.23
C0180-032-1000	4.57	0.81	25.40	17.78	15.44	39.28	5.15
C0180-032-1250	4.57	0.81	31.75	21.92	19.00	39.28	3.99
C0180-032-1500	4.57	0.81	38.10	26.16	22.48	39.28	3.29
C0180-032-2000	4.57	0.81	50.80	34.77	29.46	39.28	2.45
C0210-018-0750	5.33	0.46	19.05	7.49	4.34	6.67	0.58
C0210-018-1500	5.33	0.46	38.10	14.38	7.47	6.67	0.28
C0210-018-1750	5.33	0.46	44.45	17.25	8.48	6.67	0.25
C0210-018-2000	5.33	0.46	50.80	19.00	9.53	6.67	0.21

ProductCode	Outside Dia. (OD)	Wire Dia (d).	Free Length (L) Approx.	Load Length (L1)	Solid Height (Sh) Approx.	Load (P) at L1	Spring Rate (R)
	mm	mm	mm	mm	mm	mm	mm
C0210-022-0250	5.33	0.56	6.35	3.56	2.87	11.52	4.13
C0210-022-1500	5.33	0.56	38.10	18.16	10.13	11.52	0.58
C0210-026-1500	5.33	0.66	38.10	20.68	13.54	18.42	1.05
C0240-020-0500	6.10	0.51	12.70	5.82	3.23	7.78	1.12
C0240-020-1000	6.10	0.51	25.40	11.02	5.08	7.78	0.54
C0240-020-1500	6.10	0.51	38.10	15.88	6.93	7.78	0.35
C0240-020-2000	6.10	0.51	50.80	21.16	8.79	7.78	0.26
C0240-022-1000	6.10	0.56	25.40	10.95	5.99	10.63	0.74
C0240-024-0500	6.10	0.61	12.70	6.45	4.27	12.99	2.08
C0240-024-0750	6.10	0.61	19.05	9.35	5.61	12.99	1.33
C0240-024-1000	6.10	0.61	25.40	12.24	6.96	12.99	0.98
C0240-024-1500	6.10	0.61	38.10	18.03	9.63	12.99	0.65
C0240-024-2000	6.10	0.61	50.80	23.34	12.32	12.99	0.47
C0240-026-0500	6.10	0.66	12.70	7.09	4.29	17.13	3.05
C0240-026-0560	6.10	0.66	14.22	7.57	4.78	17.13	2.57
C0240-026-0750	6.10	0.66	19.05	9.25	6.25	17.13	1.75
C0240-026-1000	6.10	0.66	25.40	12.19	7.95	17.13	1.30
C0240-026-1500	6.10	0.66	38.10	18.14	11.10	17.13	0.86
C0240-026-2000	6.10	0.66	50.80	23.65	14.25	17.13	0.63
C0240-029-0500	6.10	0.74	12.70	7.32	5.61	22.02	4.08
C0240-029-0750	6.10	0.74	19.05	10.62	7.57	22.02	2.61
C0240-029-1000	6.10	0.74	25.40	13.92	9.50	22.02	1.93
C0240-029-1120	6.10	0.74	28.45	15.49	10.41	22.02	1.70
C0240-029-1500	6.10	0.74	38.10	20.52	13.36	22.02	1.26
C0240-029-1750	6.10	0.74	44.45	23.83	15.29	22.02	1.07
C0240-029-2000	6.10	0.74	50.80	27.13	17.22	22.02	0.93
C0240-032-0500	6.10	0.81	12.70	7.95	5.89	30.65	6.44
C0240-032-0750	6.10	0.81	19.05	11.05	8.51	30.65	3.84
C0240-032-1000	6.10	0.81	25.40	14.40	10.95	30.65	2.78
C0240-032-1500	6.10	0.81	31.75	17.75	13.36	30.65	2.19
C0240-032-2000	6.10	0.81	38.10	21.11	15.65	30.65	1.80
C0240-035-0500	6.10	0.89	12.70	8.33	7.26	37.10	8.49
C0240-035-0750	6.10	0.89	19.05	12.14	9.93	37.10	5.37
C0240-035-1000	6.10	0.89	25.40	15.95	12.60	37.10	3.92
C0240-035-1500	6.10	0.89	38.10	23.57	17.93	37.10	2.56
C0240-035-2000	6.10	0.89	50.80	31.19	23.27	37.10	1.89
C0240-040-0500	6.10	1.02	12.70	9.12	8.53	53.51	14.93
C0240-040-0750	6.10	1.02	19.05	13.34	11.79	53.51	9.36
C0240-040-1000	6.10	1.02	25.40	17.55	15.04	53.51	6.83
C0240-040-1500	6.10	1.02	38.10	25.98	21.56	53.51	4.41
C0240-040-2000	6.10	1.02	50.80	34.42	28.09	53.51	3.27
C0240-045-1000	6.10	1.14	25.40	19.30	16.94	71.93	11.78
C0240-045-1500	6.10	1.14	38.10	28.65	24.36	71.93	7.60
C0300-022-0500	7.62	0.56	12.70	5.21	2.77	8.59	1.16
C0300-022-0750	7.62	0.56	19.05	7.06	3.61	8.59	0.72
C0300-022-1000	7.62	0.56	25.40	10.08	4.45	8.59	0.56
C0300-022-1500	7.62	0.56	38.10	14.76	5.89	8.59	0.37
C0300-022-1750	7.62	0.56	44.45	17.22	6.63	8.59	0.32
C0300-022-2000	7.62	0.56	50.80	18.11	7.34	8.59	0.26
C0300-022-2500	7.62	0.56	63.50	25.78	8.48	8.59	0.23
C0300-026-0500	7.62	0.66	12.70	5.56	3.63	13.88	1.94
C0300-026-0750	7.62	0.66	19.05	8.33	4.62	13.88	1.30
C0300-026-1000	7.62	0.66	25.40	9.93	5.94	13.88	0.89
C0300-026-1500	7.62	0.66	38.10	15.47	7.95	13.88	0.61
C0300-026-2000	7.62	0.66	50.80	20.32	10.01	13.88	0.46
C0300-026-2500	7.62	0.66	63.50	27.56	11.56	13.88	0.39
C0300-030-1750	7.62	0.76	44.45	21.26	11.61	19.66	0.84
C0300-032-0500	7.62	0.81	12.70	6.68	4.83	24.87	4.13
C0300-032-0750	7.62	0.81	19.05	9.50	6.48	24.87	2.61
C0300-032-1000	7.62	0.81	25.40	11.94	8.28	24.87	1.86
C0300-032-1500	7.62	0.81	38.10	18.11	11.43	24.87	1.24
C0300-032-2000	7.62	0.81	50.80	24.00	14.55	24.87	0.93
C0300-032-2500	7.62	0.81	63.50	31.32	16.66	24.87	0.77

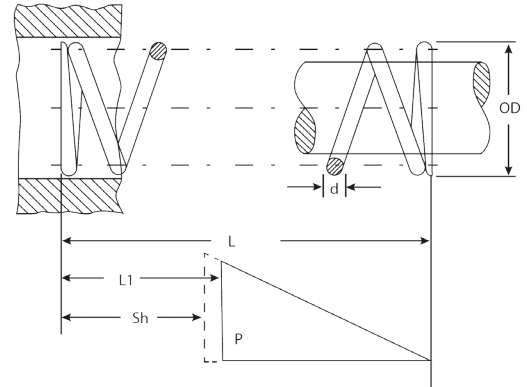


SPEC compression springs provide design engineers, draughtsmen, production and maintenance departments with precision-engineered springs in an economical and time saving way.

The SPEC service saves time and therefore money as design work and calculations are no longer required.

- Music wire ex-stock
- Stainless available upon request

Hales Australia is the official distributor for the SPEC Spring Range.



ProductCode	Outside Dia. (OD)	Wire Dia (d).	Free Length (L) Approx.	Load Length (L1)	Solid Height (Sh) Approx.	Load (P) at L1	Spring Rate (R)
	mm	mm	mm	mm	mm	mm	mm
C0300-035-1000	7.62	0.89	25.40	13.54	9.40	31.85	2.68
C0300-040-0500	7.62	1.02	12.70	8.05	6.99	43.81	9.43
C0300-040-0750	7.62	1.02	19.05	11.66	9.35	43.81	5.92
C0300-040-1000	7.62	1.02	25.40	15.24	11.68	43.81	4.31
C0300-040-1250	7.62	1.02	31.75	18.82	14.05	43.81	3.40
C0300-040-1500	7.62	1.02	38.10	22.40	16.38	43.81	2.80
C0300-040-2000	7.62	1.02	50.80	29.59	21.08	43.81	2.07
C0300-040-2500	7.62	1.02	63.50	36.78	25.78	43.81	1.65
C0300-049-0500	7.62	1.25	12.70	9.27	8.33	79.98	23.28
C0300-049-0750	7.62	1.25	19.05	13.49	11.68	79.98	14.35
C0300-049-1000	7.62	1.25	25.40	17.70	14.73	79.98	10.38
C0300-049-1250	7.62	1.25	31.75	21.89	17.78	79.98	8.12
C0300-049-1500	7.62	1.25	38.10	26.11	20.85	79.98	6.67
C0300-049-2000	7.62	1.25	50.80	34.54	26.95	79.98	4.92
C0300-049-2500	7.62	1.25	63.50	42.98	33.05	79.98	3.90
C0300-049-3000	7.62	1.25	76.20	51.41	39.14	79.98	3.22
C0360-026-0500	9.14	0.66	12.70	5.46	2.97	11.65	1.61
C0360-026-0750	9.14	0.66	19.05	8.20	3.63	11.65	1.07
C0360-026-1000	9.14	0.66	25.40	9.12	4.60	11.65	0.72
C0360-026-1500	9.14	0.66	38.10	14.33	6.15	11.65	0.49
C0360-026-2000	9.14	0.66	50.80	21.18	7.57	11.65	0.37
C0360-032-0500	9.14	0.81	12.70	6.02	4.04	21.00	3.13
C0360-032-0750	9.14	0.81	19.05	9.02	5.05	21.00	2.08
C0360-032-1000	9.14	0.81	25.40	11.35	6.27	21.00	1.49
C0360-032-1500	9.14	0.81	38.10	16.03	8.74	21.00	0.95
C0360-032-2000	9.14	0.81	50.80	20.83	11.02	21.00	0.70
C0360-032-2500	9.14	0.81	63.50	28.27	12.65	21.00	0.60
C0360-035-0500	9.14	0.89	12.70	6.73	4.95	25.49	4.27
C0360-035-0750	9.14	0.89	19.05	9.63	6.27	25.49	2.70
C0360-035-1000	9.14	0.89	25.40	12.52	7.62	25.49	1.98
C0360-035-1500	9.14	0.89	38.10	18.29	10.26	25.49	1.28
C0360-035-2000	9.14	0.89	50.80	24.05	12.93	25.49	0.95
C0360-035-2500	9.14	0.89	63.50	29.82	15.60	25.49	0.75
C0360-038-0500	9.14	0.97	12.70	7.01	5.05	33.94	5.97
C0360-038-0750	9.14	0.97	19.05	9.73	6.76	33.94	3.64
C0360-038-1000	9.14	0.97	25.40	12.47	8.43	33.94	2.63
C0360-038-1500	9.14	0.97	38.10	17.91	11.81	33.94	1.68
C0360-038-2000	9.14	0.97	50.80	23.88	14.91	33.94	1.26
C0360-038-2500	9.14	0.97	63.50	29.49	18.06	33.94	0.10
C0360-040-0500	9.14	1.02	12.70	7.34	5.94	37.01	6.90
C0360-040-0750	9.14	1.02	19.05	10.49	7.67	37.01	4.32

ProductCode	Outside Dia. (OD)	Wire Dia (d).	Free Length (L) Approx.	Load Length (L1)	Solid Height (Sh) Approx.	Load (P) at L1	Spring Rate (R)
	mm	mm	mm	mm	mm	mm	mm
C0360-040-1000	9.14	1.02	25.40	13.64	9.40	37.01	3.15
C0360-040-1500	9.14	1.02	38.10	19.96	12.83	37.01	2.05
C0360-040-2000	9.14	1.02	50.80	26.29	16.28	37.01	1.51
C0360-040-2500	9.14	1.02	63.50	32.59	19.74	37.01	1.19
C0360-049-0500	9.14	1.25	12.70	8.71	7.44	64.72	16.19
C0360-049-0750	9.14	1.25	19.05	12.57	9.75	64.72	9.98
C0360-049-1000	9.14	1.25	25.40	16.43	12.04	64.72	7.21
C0360-049-1250	9.14	1.25	31.75	20.29	14.35	64.72	5.65
C0360-049-1500	9.14	1.25	38.10	24.18	16.66	64.72	4.64
C0360-049-2000	9.14	1.25	50.80	31.90	21.26	64.72	3.43
C0360-049-2500	9.14	1.25	63.50	39.65	25.88	64.72	2.71
C0360-049-3500	9.14	1.25	88.90	55.09	35.10	64.72	1.91
C0360-055-1500	9.14	1.40	38.10	25.83	19.74	89.58	7.30
C0360-055-2000	9.14	1.40	50.80	34.11	25.32	89.58	5.37
C0390047-2000	9.91	1.19	50.80	28.02	18.97	53.82	2.36
C0420-035-0750	10.67	0.89	19.05	8.99	5.36	22.02	2.19
C0420-035-1000	10.67	0.89	25.40	11.63	6.35	22.02	1.59
C0420-035-1500	10.67	0.89	38.10	16.94	8.33	22.02	1.03
C0420-038-0750	10.67	0.97	19.05	7.49	5.66	29.36	2.54
C0420-038-1000	10.67	0.97	25.40	10.16	6.83	29.36	1.93
C0420-038-1500	10.67	0.97	38.10	14.73	9.45	29.36	1.26
C0420-038-2000	10.67	0.97	50.80	23.29	11.58	29.36	1.07
C0420-038-2500	10.67	0.97	63.50	28.85	13.51	29.36	0.84
C0420-042-0750	10.67	1.07	19.05	8.76	6.30	39.59	3.85
C0420-042-1000	10.67	1.07	25.40	11.30	7.87	39.59	2.80
C0420-042-1500	10.67	1.07	38.10	16.51	10.90	39.59	1.84
C0420-042-2000	10.67	1.07	50.80	22.89	14.17	39.59	1.42
C0420-042-2500	10.67	1.07	63.50	30.71	16.00	39.59	1.21
C0420-048-1000	10.67	1.22	25.40	14.17	10.34	53.25	4.74
C0420-048-1500	10.67	1.22	38.10	20.65	14.02	53.25	3.05
C0420-048-2000	10.67	1.22	50.80	27.13	17.73	53.25	2.26
C0420-055-1000	10.67	1.40	25.40	15.24	11.53	80.07	7.88
C0420-055-1500	10.67	1.40	38.10	22.35	16.38	80.07	5.08
C0420-055-2000	10.67	1.40	50.80	29.34	21.97	80.07	3.73
C0420-055-2500	10.67	1.40	63.50	36.32	26.67	80.07	2.94
C0420-063-0500	10.67	1.60	12.70	9.17	8.76	112.85	31.87
C0420-063-0750	10.67	1.60	19.05	13.16	12.09	112.85	19.11
C0420-063-1000	10.67	1.60	25.40	17.15	15.01	112.85	13.63
C0420-063-1500	10.67	1.60	38.10	25.10	20.85	112.85	8.68
C0420-063-2000	10.67	1.60	50.80	33.07	26.72	112.85	6.35
C0420-063-2250	10.67	1.60	57.15	37.06	29.64	112.85	5.62
C0420-063-2500	10.67	1.60	63.50	41.05	32.56	112.85	5.02
C0455-039-1500	11.56	0.99	38.10	17.32	8.99	27.62	1.33
C0480-035-1000	12.19	0.89	25.40	8.94	5.66	20.86	1.26
C0480-035-1500	12.19	0.89	38.10	12.78	7.29	20.86	0.82
C0480-035-2000	12.19	0.89	50.80	16.64	8.92	20.86	0.61
C0480-035-2500	12.19	0.89	63.50	20.96	10.52	20.86	0.49
C0480-035-3000	12.19	0.89	76.20	24.33	12.14	20.86	0.40
C0480-038-0500	12.19	0.97	12.70	5.08	3.66	26.69	3.50
C0480-038-1000	12.19	0.97	25.40	9.40	5.59	26.69	1.66
C0480-038-1500	12.19	0.97	38.10	12.70	7.75	26.69	1.05
C0480-038-2000	12.19	0.97	50.80	19.20	9.86	26.69	0.84
C0480-038-2500	12.19	0.97	63.50	27.05	10.90	26.69	0.74
C0480-038-3000	12.19	0.97	76.20	32.26	12.55	26.69	0.61
C0480-042-0500	12.19	1.07	12.70	5.59	4.24	34.70	4.90
C0480-042-1000	12.19	1.07	25.40	10.16	6.68	34.70	2.28
C0480-042-1500	12.19	1.07	38.10	14.73	9.09	34.70	1.49
C0480-042-2000	12.19	1.07	50.80	21.23	11.73	34.70	1.17
C0480-042-2500	12.19	1.07	63.50	28.58	13.21	34.70	1.00
C0480-042-3000	12.19	1.07	76.20	34.04	15.29	34.70	0.82
C0480-051-0500	12.19	1.30	12.70	7.52	6.48	55.65	10.73
C0480-051-1000	12.19	1.30	25.40	13.72	9.75	55.65	4.76
C0480-051-1500	12.19	1.30	38.10	19.91	13.03	55.65	3.06

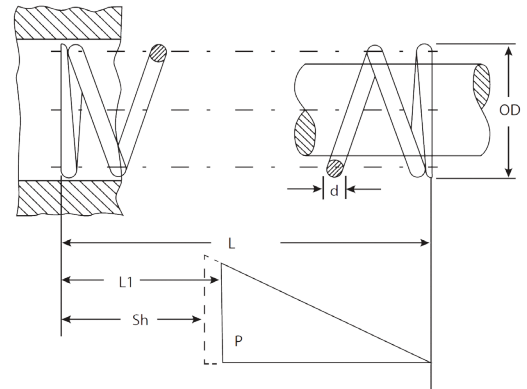


SPEC compression springs provide design engineers, draughtsmen, production and maintenance departments with precision-engineered springs in an economical and time saving way.

The SPEC service saves time and therefore money as design work and calculations are no longer required.

- Music wire ex-stock
- Stainless available upon request

Hales Australia is the official distributor for the SPEC Spring Range.



ProductCode	Outside Dia. (OD)	Wire Dia (d).	Free Length (L) Approx.	Load Length (L1)	Solid Height (Sh) Approx.	Load (P) at L1	Spring Rate (R)
	mm	mm	mm	mm	mm	mm	mm
C0480-051-2000	12.19	1.30	50.80	26.09	16.28	55.65	2.26
C0480-051-2500	12.19	1.30	63.50	32.28	19.56	55.65	1.79
C0480-051-3000	12.19	1.30	76.20	38.48	22.83	55.65	1.47
C0480-055-0500	12.19	1.40	12.70	6.99	6.25	72.06	12.60
C0480-055-1000	12.19	1.40	25.40	13.59	9.93	72.06	6.13
C0480-055-1500	12.19	1.40	38.10	19.43	14.15	72.06	3.85
C0480-055-2000	12.19	1.40	50.80	26.31	18.42	72.06	2.94
C0480-055-2500	12.19	1.40	63.50	32.56	22.20	72.06	2.33
C0480-055-3000	12.19	1.40	76.20	40.56	24.92	72.06	2.01
C0480-063-0500	12.19	1.60	12.70	7.82	7.52	102.31	21.00
C0480-063-0750	12.19	1.60	19.05	11.56	9.86	102.31	13.65
C0480-063-1000	12.19	1.60	25.40	15.11	12.32	102.31	9.98
C0480-063-1500	12.19	1.60	38.10	22.73	16.89	102.31	6.65
C0480-063-2000	12.19	1.60	50.80	29.87	22.73	102.31	4.88
C0480-063-2250	12.19	1.60	57.15	33.40	25.12	102.31	4.31
C0480-063-2500	12.19	1.60	63.50	36.96	27.51	102.31	3.85
C0480-0632750	12.19	1.60	69.85	40.56	29.90	102.31	3.48
C0480-063-3000	12.19	1.60	76.20	44.12	32.28	102.31	3.19
C0480-072-2000	12.19	1.83	50.80	33.99	26.70	144.48	8.58
C0600-049-1000	15.24	1.25	25.40	12.22	7.54	37.37	2.84
C0600-049-1500	15.24	1.25	38.10	17.60	9.65	37.37	1.82
C0600-049-2000	15.24	1.25	50.80	23.01	11.76	37.37	1.35
C0600-049-2500	15.24	1.25	63.50	28.40	13.87	37.37	1.07
C0600-049-3000	15.24	1.25	76.20	33.78	15.98	37.37	0.88
C0600-055-1000	15.24	1.40	25.40	12.70	7.72	53.38	4.20
C0600-055-1500	15.24	1.40	38.10	17.78	10.67	53.38	2.63
C0600-055-2000	15.24	1.40	50.80	23.83	14.27	53.38	1.98
C0600-055-2500	15.24	1.40	63.50	29.26	16.94	53.38	1.56
C0600-055-3000	15.24	1.40	76.20	36.17	19.10	53.38	1.33
C0600-063-1000	15.24	1.60	25.40	13.34	9.60	80.07	6.65
C0600-063-1500	15.24	1.60	38.10	19.05	13.36	80.07	4.20
C0600-063-2000	15.24	1.60	50.80	25.40	17.78	80.07	3.15
C0600-063-2500	15.24	1.60	63.50	31.29	21.23	80.07	2.49
C0600-063-3000	15.24	1.60	76.20	39.57	23.55	80.07	2.19
C0600-072-1000	15.24	1.83	25.40	14.35	12.75	106.76	9.63
C0600-072-1500	15.24	1.83	38.10	21.08	17.55	106.76	6.30
C0600-072-2000	15.24	1.83	50.80	28.96	21.54	106.76	4.90
C0600-072-2500	15.24	1.83	63.50	37.11	26.24	106.76	4.04
C0600-072-3000	15.24	1.83	76.20	44.25	30.63	106.76	3.34
C0600-081-1250	15.24	2.06	63.50	43.56	28.04	145.41	7.30
C0600-085-3000	15.24	2.16	76.20	53.31	34.90	167.34	7.30

ProductCode	Outside Dia. (OD)	Wire Dia (d).	Free Length (L) Approx.	Load Length (L1)	Solid Height (Sh) Approx.	Load (P) at L1	Spring Rate (R)
	mm	mm	mm	mm	mm	mm	mm
C0720-055-1000	18.29	1.40	25.40	11.68	6.30	43.37	3.24
C0720-055-1500	18.29	1.40	38.10	16.00	8.46	43.37	2.01
C0720-055-2000	18.29	1.40	50.80	20.83	10.44	43.37	1.48
C0720-055-2500	18.29	1.40	63.50	27.81	13.18	43.37	1.20
C0720-055-3000	18.29	1.40	76.20	33.07	15.06	43.37	0.99
C0720-063-1000	18.29	1.60	25.40	10.67	8.74	62.28	4.20
C0720-063-1500	18.29	1.60	38.10	14.48	12.07	62.28	2.63
C0720-063-2000	18.29	1.60	50.80	18.54	15.29	62.28	1.93
C0720-063-2500	18.29	1.60	63.50	30.58	16.61	62.28	1.89
C0720-063-3000	18.29	1.60	76.20	36.25	19.08	62.28	1.56
C0720-072-1000	18.29	1.83	25.40	12.70	10.08	93.41	7.35
C0720-072-1500	18.29	1.83	38.10	17.78	14.07	93.41	4.55
C0720-072-2000	18.29	1.83	50.80	24.13	17.20	93.41	3.50
C0720-072-2500	18.29	1.83	63.50	32.39	20.70	93.41	2.99
C0720-072-3000	18.29	1.83	76.20	38.38	23.93	93.41	2.47
C0720-072-3500	18.29	1.83	88.90	44.42	27.15	93.41	2.10
C0720-072-4000	18.29	1.83	101.60	51.18	30.02	93.41	1.86
C0720-081-1000	18.29	2.06	25.40	15.34	12.90	127.75	12.71
C0720-081-1500	18.29	2.06	38.10	22.05	16.89	127.75	7.96
C0720-081-2000	18.29	2.06	50.80	28.75	20.90	127.75	5.79
C0720-081-2500	18.29	2.06	63.50	35.46	24.92	127.75	4.55
C0720-081-3000	18.29	2.06	76.20	42.16	28.93	127.75	3.75
C0720-081-3500	18.29	2.06	88.90	48.87	32.94	127.75	3.19
C0720-081-4000	18.29	2.06	101.60	55.52	36.96	127.75	2.78
C0720-085-3500	18.29	2.16	88.90	53.64	32.61	149.42	4.24
C0720-112-3000	18.29	2.85	76.20	56.29	40.77	309.55	15.54
C0720-112-3500	18.29	2.85	88.90	65.41	46.58	309.55	13.18
C0850-068-4000	21.59	1.73	101.60	52.83	23.80	48.66	1.00
C0850-074-1000	21.59	1.88	25.40	15.11	9.75	61.65	5.99
C0850-074-2000	21.59	1.88	50.80	28.45	15.70	61.65	2.77
C0850-074-3000	21.59	1.88	76.20	41.78	21.64	61.65	1.79
C0850-081-1500	21.59	2.06	38.10	22.86	14.55	79.31	5.20
C0850-081-2000	21.59	2.06	50.80	29.87	18.08	79.31	3.78
C0850-081-2500	21.59	2.06	63.50	36.88	21.59	79.31	2.98
C0850-081-3000	21.59	2.06	76.20	43.89	25.12	79.31	2.45
C0850-092-1500	21.59	2.34	38.10	24.56	17.42	112.94	8.35
C0850-092-2000	21.59	2.34	50.80	32.13	21.84	112.94	6.04
C0850-092-2500	21.59	2.34	63.50	39.67	26.24	112.94	4.74
C0850-092-3000	21.59	2.34	76.20	47.24	30.66	112.94	3.90
C0850-098-1500	21.59	2.49	38.10	25.48	18.97	134.51	10.64
C0850-098-2000	21.59	2.49	50.80	33.32	23.88	134.51	7.70
C0850-098-2500	21.59	2.49	63.50	41.20	28.75	134.51	6.02
C0850-098-3000	21.59	2.49	76.20	49.05	33.66	134.51	4.95
C0850-098-3500	21.59	2.49	88.90	56.90	38.53	134.51	4.20
C0975-092-1000	24.77	2.34	25.40	16.10	11.58	99.24	10.68
C0975-092-1250	24.77	2.34	31.75	19.61	13.34	99.24	8.17
C0975-092-1500	24.77	2.34	38.10	23.11	15.09	99.24	6.62
C0975-092-2000	24.77	2.34	50.80	30.12	18.59	99.24	4.80
C0975-092-3000	24.77	2.34	76.20	44.12	25.63	99.24	3.10
C0975-092-3500	24.77	2.34	88.90	51.13	29.13	99.24	2.63
C0975-092-4000	24.77	2.34	101.60	58.14	32.66	99.24	2.28
C0975-096-1000	24.77	2.44	25.40	16.48	12.22	111.69	12.51
C0975-096-1250	24.77	2.44	31.75	20.07	14.12	111.69	9.56
C0975-096-1500	24.77	2.44	38.10	23.65	16.03	111.69	7.74
C0975-096-2000	24.77	2.44	50.80	30.84	19.81	111.69	5.58
C0975-096-2500	24.77	2.44	63.50	38.02	23.62	111.69	4.38
C0975-096-3000	24.77	2.44	76.20	45.19	27.41	111.69	3.61
C0975-096-3500	24.77	2.44	88.90	52.37	31.19	111.69	3.06
C0975-105-1000	24.77	2.67	25.40	17.30	13.67	143.19	17.68
C0975-105-1500	24.77	2.67	38.10	24.87	18.11	143.19	10.82
C0975-105-2000	24.77	2.67	50.80	32.46	22.56	143.19	7.81
C0975-105-2500	24.77	2.67	63.50	40.03	26.97	143.19	6.09
C0975-105-3000	24.77	2.67	76.20	47.60	31.42	143.19	5.01

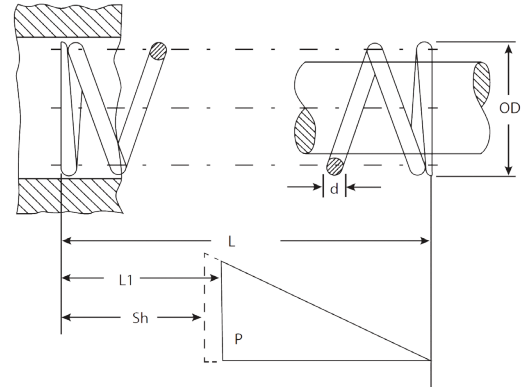


SPEC compression springs provide design engineers, draughtsmen, production and maintenance departments with precision-engineered springs in an economical and time saving way.

The SPEC service saves time and therefore money as design work and calculations are no longer required.

- Music wire ex-stock
- Stainless available upon request

Hales Australia is the official distributor for the SPEC Spring Range.



ProductCode	Outside Dia. (OD)	Wire Dia. (d).	Free Length (L) Approx.	Load Length (L1)	Solid Height (Sh) Approx.	Load (P) at L1	Spring Rate (R)
	mm	mm	mm	mm	mm	mm	mm
C0975-105-3500	24.77	2.67	88.90	55.19	35.84	143.19	4.25
C0975-105-4000	24.77	2.67	101.60	62.76	40.28	143.19	3.69
C0975-112-1500	24.77	2.85	38.10	25.81	19.71	171.17	13.91
C0975-112-2000	24.77	2.85	50.80	33.71	24.64	171.17	9.99
C0975-112-2500	24.77	2.85	63.50	41.58	29.57	171.17	7.81
C0975-112-3000	24.77	2.85	76.20	49.45	34.49	171.17	6.41
C0975-112-3500	24.77	2.85	88.90	57.35	39.45	171.17	5.43
C0975-125-1250	24.77	3.18	31.75	23.24	19.61	231.49	27.20
C0975-125-1500	24.77	3.18	38.10	27.46	22.53	231.49	21.75
C0975-125-2000	24.77	3.18	50.80	35.92	28.37	231.49	15.54
C0975-125-2500	24.77	3.18	63.50	44.35	34.21	231.49	12.09
C0975-125-3000	24.77	3.18	76.20	52.81	40.06	231.49	9.89
C0975-125-3500	24.77	3.18	88.90	61.24	45.90	231.49	8.37
C0975-125-4000	24.77	3.18	101.60	69.70	51.74	231.49	7.25
C0975-135-4000	24.77	3.43	101.60	73.53	55.96	286.73	10.20
C1225-096-1500	31.12	2.44	38.10	21.62	12.75	89.85	5.44
C1225-096-2000	31.12	2.44	50.80	28.02	15.29	89.85	3.94
C1225-096-2500	31.12	2.44	63.50	34.42	17.83	89.85	3.08
C1225-096-3000	31.12	2.44	76.20	40.82	20.37	89.85	2.54
C1225-096-3500	31.12	2.44	88.90	47.22	22.91	89.85	2.15
C1225-096-4000	31.12	2.44	101.60	53.62	25.45	89.85	1.87
C1225-096-4500	31.12	2.44	114.30	60.02	27.99	89.85	1.66
C1225-096-5000	31.12	2.44	127.00	66.42	30.53	89.85	1.49
C1225-112-1000	31.12	2.85	25.40	16.46	12.40	138.03	15.44
C1225-112-1500	31.12	2.85	38.10	23.39	15.82	138.03	9.38
C1225-112-2000	31.12	2.85	50.80	30.35	19.23	138.03	6.74
C1225-112-2500	31.12	2.85	63.50	37.29	22.63	138.03	5.27
C1225-112-3000	31.12	2.85	76.20	44.22	26.06	138.03	4.31
C1225-112-3500	31.12	2.85	88.90	51.16	29.46	138.03	3.66
C1225-112-4000	31.12	2.85	101.60	58.12	32.87	138.03	3.17
C1225-125-1250	31.12	3.18	31.75	21.16	16.23	187.14	17.64
C1225-125-1500	31.12	3.18	38.10	24.84	18.31	187.14	14.11
C1225-125-2000	31.12	3.18	50.80	32.26	22.48	187.14	10.08
C1225-125-2500	31.12	3.18	63.50	39.65	26.62	187.14	7.84
C1225-125-3000	31.12	3.18	76.20	47.04	30.78	187.14	6.42
C1225-125-4000	31.12	3.18	101.60	61.85	39.09	187.14	4.71
C1225-125-5000	31.12	3.18	127.00	76.66	47.37	187.14	3.71
C1225-135-1500	31.12	3.43	38.10	25.93	20.19	231.44	19.02
C1225-135-2000	31.12	3.43	50.80	33.71	24.94	231.44	13.53
C1225-135-3000	31.12	3.43	76.20	49.23	34.39	231.44	8.58
C1225-135-3500	31.12	3.43	88.90	56.97	39.12	231.44	7.25

ProductCode	Outside Dia. (OD)	Wire Dia (d).	Free Length (L) Approx.	Load Length (L1)	Solid Height (Sh) Approx.	Load (P) at L1	Spring Rate (R)
	mm	mm	mm	mm	mm	mm	mm
C1225-148-1500	31.12	3.76	38.10	27.31	22.56	298.03	27.58
C1225-148-2000	31.12	3.76	50.80	35.51	28.04	298.03	19.50
C1225-148-3000	31.12	3.76	76.20	51.94	38.96	298.03	12.29
C1225-148-3500	31.12	3.76	88.90	60.17	44.42	298.03	10.36
C1225-148-4000	31.12	3.76	101.60	68.38	49.91	298.03	8.96
C1225-148-4500	31.12	3.76	114.30	76.61	55.37	298.03	7.89
C1225-148-5000	31.12	3.76	127.00	84.81	60.83	298.03	7.05
C1460-112-2000	37.08	2.85	50.80	28.32	15.98	116.68	5.18
C1460-112-3000	37.08	2.85	76.20	41.07	20.96	116.68	3.33
C1460-125-1500	37.08	3.18	38.10	23.19	15.65	158.40	10.62
C1460-125-2000	37.08	3.18	50.80	29.95	18.75	158.40	7.60
C1460-125-3000	37.08	3.18	76.20	43.41	24.92	158.40	4.83
C1460-125-4000	37.08	3.18	101.60	56.90	31.09	158.40	3.54
C1460-135-2000	37.08	3.43	50.80	31.19	20.90	196.12	9.99
C1460-135-3000	37.08	3.43	76.20	45.26	28.02	196.12	6.34
C1460-135-4000	37.08	3.43	101.60	59.33	35.38	196.12	4.64
C1460-148-2000	37.08	3.76	50.80	32.82	23.70	252.93	14.05
C1460-148-3000	37.08	3.76	76.20	47.68	32.08	252.93	8.86
C1460-148-4000	37.08	3.76	101.60	62.53	40.46	252.93	6.48
C1460-162-2000	37.08	4.12	50.80	34.54	26.64	324.45	19.95
C1460-162-3000	37.08	4.12	76.20	50.24	36.40	324.45	12.50
C1460-162-4000	37.08	4.12	101.60	65.94	46.15	324.45	9.10
C1460-162-5000	37.08	4.12	127.00	81.64	55.91	324.45	7.14
C1687-135-2000	42.85	3.43	50.80	29.49	18.14	170.81	8.02
C1687-135-3000	42.85	3.43	76.20	42.57	23.67	170.81	5.08
C1687-135-4000	42.85	3.43	101.60	55.65	29.21	170.81	3.71
C1687-135-5000	42.85	3.43	127.00	68.73	34.75	170.81	2.92
C1687-148-2000	42.85	3.76	50.80	30.94	20.62	220.50	11.10
C1687-148-3000	42.85	3.76	76.20	44.65	27.20	220.50	6.98
C1687-148-4000	42.85	3.76	101.60	58.39	33.81	220.50	5.09
C1687-148-5000	42.85	3.76	127.00	72.14	40.39	220.50	4.01
C1687-162-2000	42.85	4.12	50.80	32.49	23.32	283.13	15.44
C1687-162-3000	42.85	4.12	76.20	46.94	31.06	283.13	9.68
C1687-162-4000	42.85	4.12	101.60	61.42	38.84	283.13	7.04
C1687-162-5000	42.85	4.12	127.00	75.87	46.61	283.13	5.53
C1687-177-2000	42.85	4.50	50.80	34.11	26.14	361.46	21.65
C1687-177-3000	42.85	4.50	76.20	49.38	35.18	361.46	13.46
C1687-177-4000	42.85	4.50	101.60	64.64	44.22	361.46	9.77
C1687-177-5000	42.85	4.50	127.00	79.91	53.29	361.46	7.67
C1687-192-2000	42.85	4.88	50.80	35.69	28.88	451.94	29.91
C1687-192-3000	42.85	4.88	76.20	51.74	39.19	451.94	18.48
C1687-192-4000	42.85	4.88	101.60	67.79	49.53	451.94	13.37
C1687-192-5000	42.85	4.88	127.00	83.87	59.84	451.94	10.47
C1937-148-3000	49.20	3.76	76.20	42.27	23.34	193.14	5.69
C1937-148-4000	49.20	3.76	101.60	55.12	28.50	193.14	4.15
C1937-148-5000	49.20	3.76	127.00	67.95	33.63	193.14	3.27
C1937-162-2000	49.20	4.12	50.80	30.78	20.57	248.21	12.39
C1937-162-3000	49.20	4.12	76.20	44.25	26.72	248.21	7.75
C1937-162-4000	49.20	4.12	101.60	57.71	32.84	248.21	5.65
C1937-162-5000	49.20	4.12	127.00	71.15	38.99	248.21	4.45
C1937-177-4000	49.20	4.50	101.60	60.53	37.62	317.11	7.72
C1937-177-5000	49.20	4.50	127.00	74.68	44.86	317.11	6.06
C1937-177-6000	49.20	4.50	152.40	88.82	52.10	317.11	4.99
C1937-207-4500	49.20	5.26	114.30	73.99	51.92	488.10	12.09
C1937-207-5000	49.20	5.26	127.00	81.76	56.64	488.10	10.78
C1937-207-5500	49.20	5.26	139.70	89.51	61.39	488.10	9.71
C1937-207-6000	49.20	5.26	152.40	97.28	66.14	488.10	8.86