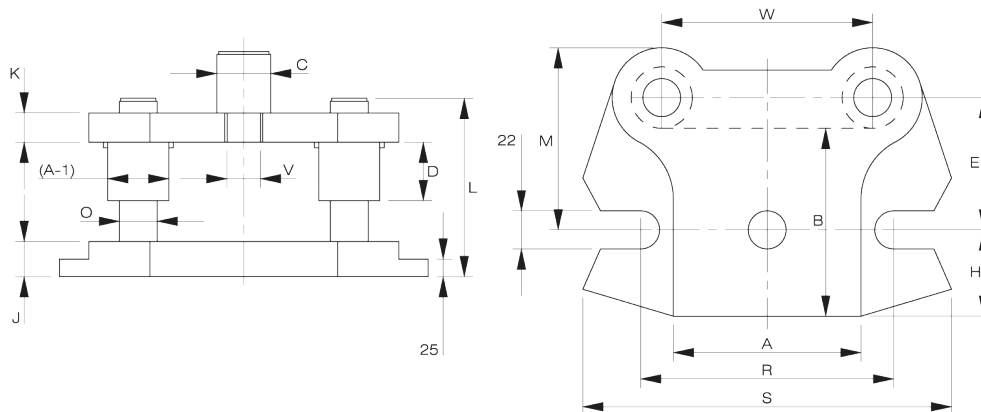
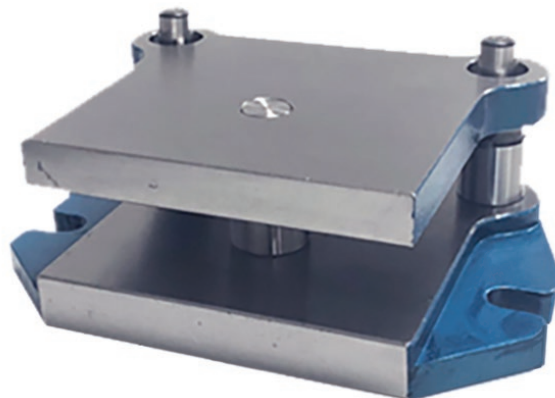
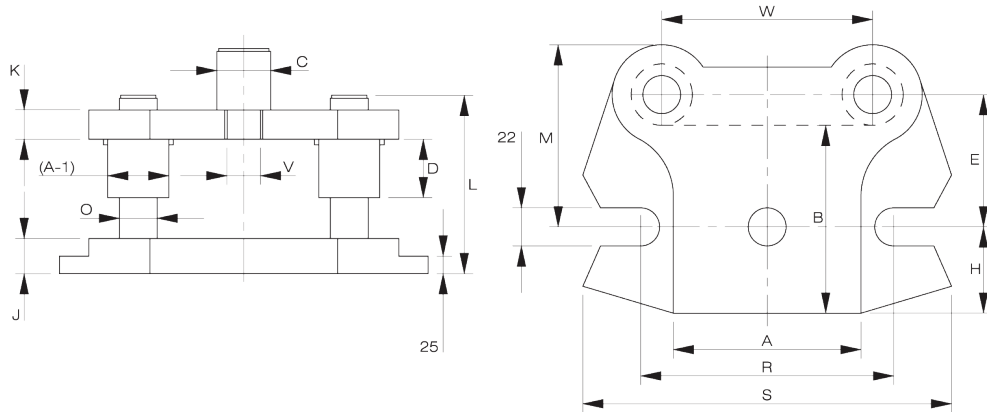
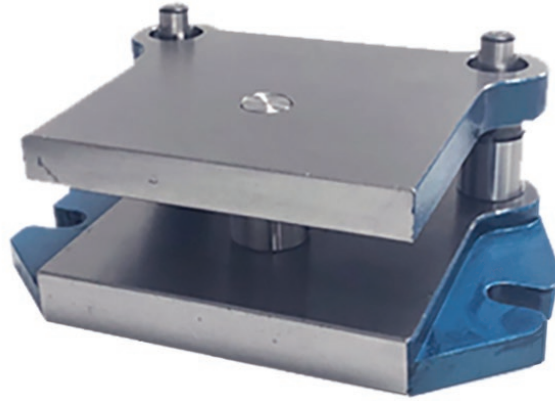


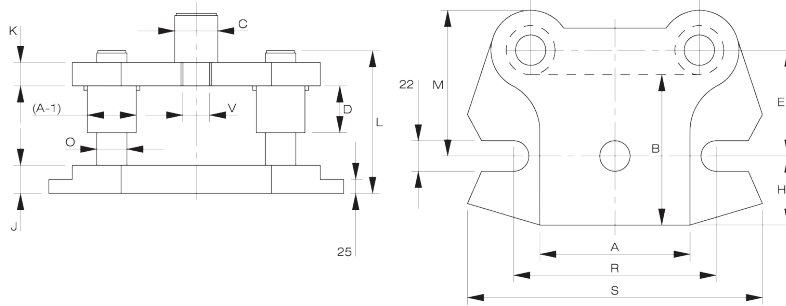
Rear Pillar Steel Die Set



Product Code	Die Area		Shank Dia C	Pin Length L	General Dimensions											BSF	
	A	B			W	E	H	J	K	M	O	A-1	R	S	D	V	
	Inches				Millimetres											Inches	
HRPS-33A	3	3	1 1/4	4 1/2	76.2	55.5	38.1	22.2	22.2	84.1	0.7355	28.63	152.4	203	44.47	3/4	
HRPS-44A	4	4	1 1/2	4 1/2	101.6	68.2	50.8	35	30.5	96.8	0.7355	28.63	171.4	222.2	44.47	1	
HRPS-55A	5	5	2	5 3/4	127	84.1	63.5	38.5	30.5	119.0	0.9855	44.45	196.8	247.6	57.15	1 1/4	
HRPS-64A	6	4	2	5 3/4	152.4	71.4	50.8	38.5	30.5	106.3	0.9855	44.45	222.2	273.0	57.15	1 1/4	
HRPS-66A	6	6	2	5 3/4	152.4	96.8	76.2	38.5	30.5	131.7	0.9855	44.45	222.2	273.0	57.15	1 1/4	
HRPS-75A	7	5	2	5 3/4	177.8	84.1	63.5	38.5	30.5	119.0	0.9855	44.45	247.6	298.4	57.15	1 1/4	
HRPS-75B	7	5	2	6 1/2	177.8	84.1	63.5	48.5	30.5	119.0	0.9855	44.45	247.6	298.4	57.15	1 1/4	
HRPS-86A	8	6	2	5 3/4	203.2	96.8	76.2	38.5	30.5	131.7	0.9855	44.45	273.0	323.8	57.15	1 1/4	
HRPS-86B	8	6	2	6 1/2	203.2	96.8	76.2	48.5	30.5	131.7	0.9855	44.45	273.0	323.8	57.15	1 1/4	
HRPS-88A	8	8	2	5 3/4	203.2	122.2	101.6	38.5	30.5	157.1	0.9855	44.45	273.0	323.8	57.15	1 1/4	
HRPS-88B	8	8	2	6 1/2	203.2	122.2	101.6	48.5	30.5	157.1	0.9855	44.45	273.0	323.8	57.15	1 1/4	
HRPS-95A	9	5	2	5 3/4	228.6	84.1	63.5	38.5	30.5	119.0	0.9855	44.45	297.2	349.2	57.15	1 1/4	
HRPS-95B	9	5	2	6 1/2	228.6	84.1	63.5	48.5	30.5	119.0	0.9855	44.45	297.2	349.2	57.15	1 1/4	
HRPS-97A	9	7	2	5 3/4	228.6	109.5	88.9	38.5	30.5	144.4	0.9855	44.45	297.2	349.2	57.15	1 1/4	
HRPS-97B	9	7	2	6 1/2	228.6	109.5	88.9	48.5	30.5	144.4	0.9855	44.45	297.2	349.2	57.15	1 1/4	
HRPS-106A	10	6	2	5 3/4	254.0	96.8	76.2	38.5	30.5	131.7	0.9855	44.45	323.8	374.6	57.15	1 1/4	
HRPS-106B	10	6	2	6 1/2	254.0	96.8	76.2	48.5	30.5	131.7	0.9855	44.45	323.8	374.6	57.15	1 1/4	
HRPS-118A	11	8	2	5 3/4	279.4	125.4	101.6	38.5	30.5	166.7	1.2355	53.97	349.2	400.0	60.33	1 1/4	
HRPS-118B	11	8	2	6 1/2	279.4	125.4	101.6	48.5	30.5	166.7	1.2355	53.97	349.2	400.0	60.33	1 1/4	
HRPS-126A	12	6	2	5 3/4	304.8	100.0	76.2	38.5	30.5	141.3	1.2355	53.97	374.6	425.4	60.33	1 1/4	
HRPS-126B	12	6	2	6 1/2	304.8	100.0	76.2	48.5	30.5	141.3	1.2355	53.97	374.6	425.4	60.33	1 1/4	
HRPS-128A	12	8	2	5 3/4	304.8	125.4	101.6	38.5	30.5	166.7	1.2355	53.97	374.6	425.4	60.33	1 1/4	
HRPS-128B	12	8	2	6 1/2	304.8	125.4	101.6	48.5	30.5	166.7	1.2355	53.97	374.6	425.4	60.33	1 1/4	
HRPS-1210A	12	10	2	5 3/4	304.8	154.0	127.0	38.5	30.5	195.3	1.2355	53.97	374.6	425.4	60.33	1 1/4	

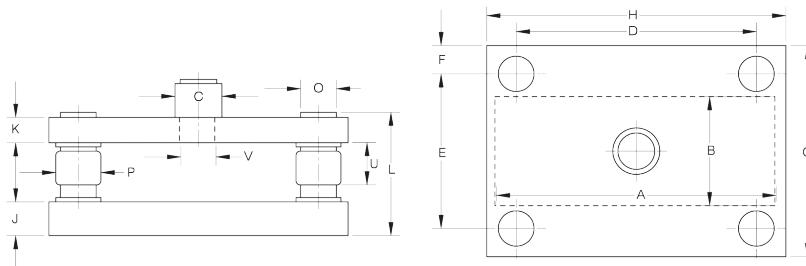


Product Code	Die Area		Shank Dia	Pin Length	General Dimensions											BSF
	A	B	C	L	W	E	H	J	K	M	O	A-1	R	S	D	V
	Inches				Millimetres											Inches
HRPS-146A	14	6	2	5 3/4	355.6	100	76.2	38.5	30.5	141.3	1.2355	53.97	425.4	476.2	60.33	1 1/4
HRPS-146B	14	6	2	6 1/2	355.6	100	76.2	48.5	30.5	141.3	1.2355	53.97	425.4	476.2	60.33	1 1/4
HRPS-148A	14	8	2	5 3/4	355.6	125.4	101.6	38.5	30.5	166.7	1.2355	53.97	425.4	476.2	60.33	1 1/4
HRPS-148B	14	8	2	6 1/2	355.6	125.4	101.6	48.5	30.5	166.7	1.2355	53.97	425.4	476.2	60.33	1 1/4
HRPS-1410A	14	10	2	5 3/4	355.6	157.1	127	38.5	38.5	206.3	1.4855	60	431.8	482.6	69.85	1 1/4
HRPS-1410B	14	10	2	6 1/2	355.6	157.1	127	48.5	38.5	206.3	1.4855	60	431.8	482.6	69.85	1 1/4
HRPS-1414A	14	14	2	5 3/4	355.6	207.6	177.8	38.5	30.5	258.4	1.4855	60	389.2	457.2	69.85	1 1/4
HRPS-1612A	16	12	2	8 1/2	406.4	182.6	152.4	38.5	38.5	233.4	1.4855	60.00	440.0	508.0	69.85	1 1/4
HRPS-187B	18	7	2	10	457.2	119.1	88.9	48.5	48.5	169.9	1.4855	60.00	490.8	558.8	69.85	1 1/4
HRPS-189B	18	9	2	10	457.2	144.5	144.3	48.5	48.5	195.3	1.4855	60.00	490.8	558.8	69.85	1 1/4
HRPS-1814A	18	14	2	8 1/2	457.2	208.0	177.8	38.5	38.5	265.1	1.4855	60.00	502.9	571.5	69.85	1 1/4
HRPS-1814B	18	14	2	10	457.2	208.0	177.8	48.5	48.5	265.1	1.7355	66.68	502.9	571.5	76.18	1 1/4
HRPS-1818A	18	18	2	8 1/2	457.2	228.6	177.8	38.5	38.5	320.7	1.7355	66.68	503.5	571.5	69.85	1 1/4
HRPS-1818B	18	18	2	10	457.2	228.6	177.8	48.5	48.5	320.7	1.7355	66.68	503.5	571.5	76.18	1 1/4
HRPS-2010A	20	10	2	8 1/2	508.0	161.9	127.0	38.5	38.5	219.1	1.4855	60.0	554.3	622.3	69.85	1 1/4
HRPS-2214A	22	14	2	8 1/2	558.0	212.7	177.8	38.5	38.5	269.9	1.7355	66.68	604.5	673.1	69.85	1 1/4
HRPS-2214B	22	14	2	10	558.0	212.7	177.8	48.5	48.5	269.9	1.7355	66.68	604.5	673.1	76.18	1 1/4
HRPS-246A	24	6	2	8 1/2	609.8	111.1	76.2	38.5	38.5	168.3	1.4855	60.0	655.9	732.9	69.85	1 1/4
HRPS-246B	24	6	2	10	609.8	111.1	76.2	48.5	48.5	168.3	1.7355	66.68	655.9	732.9	76.18	1 1/4
HRPS-249A	24	9	2	8 1/2	609.8	149.2	114.3	38.5	38.5	206.4	1.4855	60.0	655.9	732.9	69.85	1 1/4
HRPS-2412A	24	12	2	8 1/2	187.3	152.4	244.5	38.5	38.5	609.6	1.7355	66.68	655.3	732.9	69.85	1 1/4
HRPS-2412B	24	12	2	10	187.3	152.4	244.5	48.5	48.5	609.6	1.7355	66.68	655.3	732.9	76.18	1 1/4
HRPS-306A	30	6	2	8 1/2	762.0	111.1	76.2	38.5	38.5	168.3	1.4855	60.0	808.3	876.3	69.85	1 1/4
HRPS-309B	30	9	2	10	762.0	149.2	114.3	48.5	48.5	206.4	1.7355	66.68	808.3	876.3	76.18	1 1/4

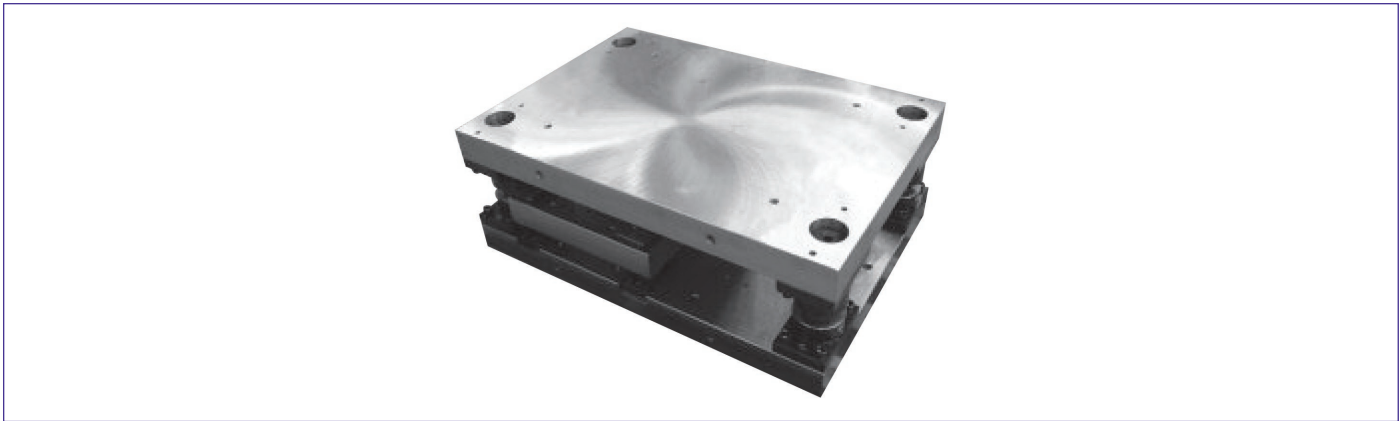


Product Code	Die Area		Shank Dia	Pin Length	General Dimensions											BSF
	A	B			C	L	W	E	H	J	K	M	O	A-1	R	
	Inches				Millimetres											Inches
HRRS-58A	5	8	2	5 3/4	142.9	122.2	101.6	38.5	30.5	157.1	0.9855	44.45	212.7	263.5	57.17	1 1/4
HRRS-710A	7	10	2	5 3/4	225.4	134.9	127.0	38.5	30.5	176.2	1.2355	53.97	246.7	298.4	60.33	1 1/4
HRRS-710B	7	10	2	6 1/2	225.4	134.9	127.0	48.5	30.5	176.2	1.2355	53.97	246.7	298.4	60.33	1 1/4

Four Pillar Steel Die Set

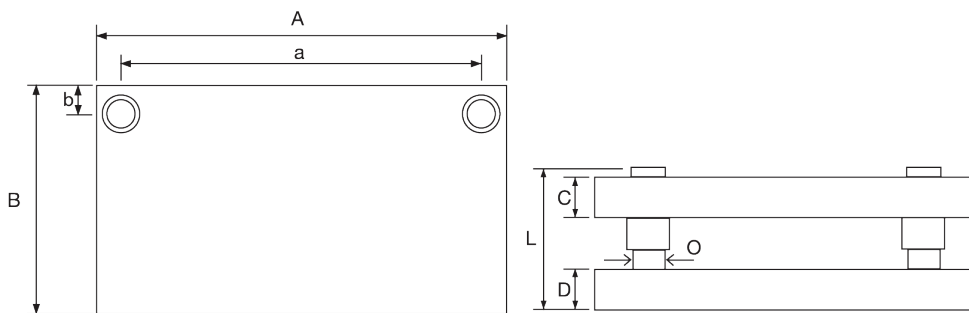


Product Code	Die Area		Shank Dia	General Dimensions								Pin Dia	Bush	BSF
	A	B		L	D	E	G	H	J	K	P			
	Inches			Millimetres								Inches		
H4PS-106A	10	5 1/2	2	5 3/4	235.0	187.3	276.0	323.9	40.0	40.0	44.45	0.9855	57.17	1 1/4
H4PS-126A	12	5 1/2	2	5 3/4	279.4	193.7	289.0	374.7	40.0	40.0	53.97	1.2355	60.33	1 1/4
H4PS-128A	12	7 1/2	2	5 3/4	279.4	244.5	340.0	374.7	40.0	40.0	53.97	1.2355	60.33	1 1/4
H4PS-146A	14	5 1/2	2	5 3/4	330.2	193.7	289.0	425.5	40.0	40.0	53.97	1.2355	60.33	1 1/4
H4PS-1410A	14	9 1/2	2	5 3/4	330.2	295.3	390.0	425.5	40.0	40.0	53.97	1.2355	60.33	1 1/4
H4PS-166A	16	5 1/2	2	5 3/4	381.0	193.7	289.0	222.3	40.0	40.0	53.97	1.2355	60.33	1 1/4
H4PS-168A	16	7 1/2	2	5 3/4	381.0	257.2	340.0	476.3	40.0	40.0	53.97	1.2355	60.33	1 1/4

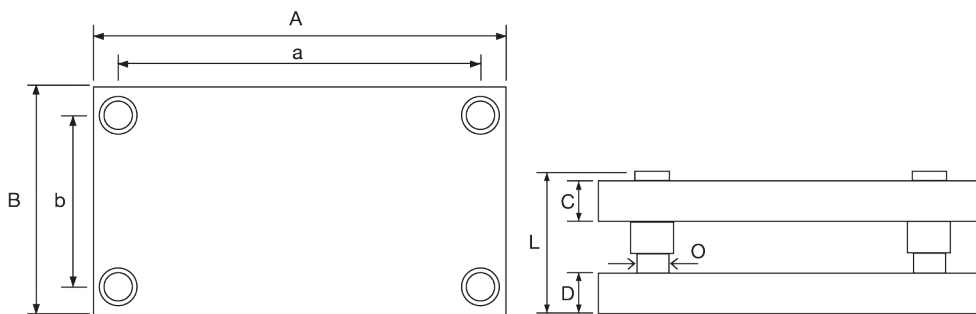


The following options are available on request:

- Ball Bearing Bushings
- Drilling and Tapping (Detailed drawing required)
- Pocketing (Detailed drawing required)



2 Pillar							
A	B	C	D	a	b	L	O



4 Pillar							
A	B	C	D	a	b	L	O