



Hales Bolt on Ball Bearing Pin and Bush Assemblies

Helical design of cage and plunger allows cage to freely rotate over the entire peripheral surface.
 Perfect precision alignment.
 When assembling, two dowel pins are to be fitted in guide bush and holder.

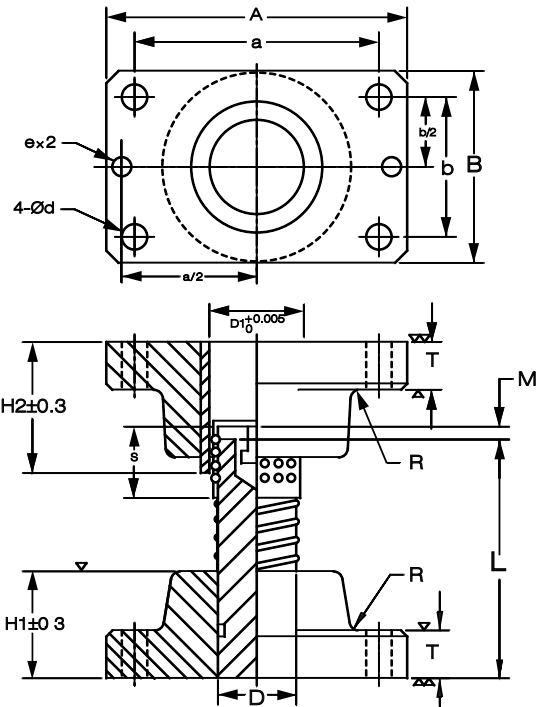
Please note: Dowels and screws are included in assembly.

Materials:

Guide post - Deep core strength case hardened materials
 Holder - Automotive high alloyed iron
 Guide bush - Automotive high alloyed iron with solid lubricant.

M: Movable range of stopper

Please note: 60 Dia has fixed stopper



Product Code	øD	L	D1	A	B	a	b	d	H1	H2	T	S	M	e=H7	H7	screw 8pcs	dowel 4pcs
PSRBB25-120	25	120	31	84	48	66	30	9	30	50	20	50	0 - 20	8	+0.015 0	M8 x 35	8x30
PSRBB25-140		140															
PSRBB25-160		160															
PSRBB25-180		180															
PSRBB32-120	32	120	40	100	58	76	36	11	40	60	20	60	0 - 25	8	+0.015 0	M10 x 40	8x30
PSRBB32-140		140															
PSRBB32-160		160															
PSRBB32-180		180															
PSRBB38-160	38	160	48	130	75	100	44	11	50	70	25	70	0 - 29	10	+0.015 0	M10 x 45	10x40
PSRBB38-180		180															
PSRBB38-200		200															
PSRBB38-240		240															
PSRBB50-180	50	180	60	155	90	125	60	14	65	90	25	90	0 - 42	10	+0.015 0	M12 x 50	10x40
PSRBB50-200		200															
PSRBB50-240		240															
PSRBB50-260		260															
PSRBB50-300	300																
PSRBB60-200	60	200	70	190	120	150	80	18	75	100	30	100	0 - 59	13	+0.018 0	M16 x 60	13x50
PSRBB60-240		240															
PSRBB60-260		260															
PSRBB60-300		300															