



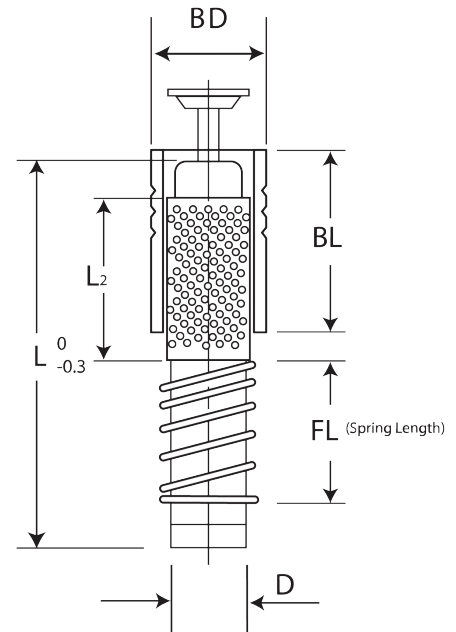
Ball Bearing Pins and Bushes offer distinct advantages:

- The difficulty of assembly and disassembly of die sets is eliminated
- Lubrication problems are almost entirely eliminated
- Perfect alignment reduces wear and increases die life

Ordering Example

Code No.	L	BL	FL
PPS22	120	L50	40
PPS22	-12	-L5	-4

Ordering Code = **PPS22-12-L5-4**



FULL RANGE																			
Code	D	L														BL	FL	L2	BD
PPS	20	100	110	120	130	140	150	160	170	180					L50	40-140	50	37	
	22			120	130	140	150	160	170	180					L50	40-140	50	40	
															L60		60	40	
	25			120	130	140	150	160	170	180					L60	40-150	60	45	
															L80		75	45	
	28					140	150	160	170	180	190	200			L60	50-150	60	50	
															L80		75	50	
	32							160	170	180	190	200	220	240	L80	70-190	75	55	
															L100		90	55	
	38									180	190	200	220	240	260	L80	80-190	75	64
															L100	90		64	
	45									180	190	200	220	240	260	L100	80-190	90	74
															L120	110		74	
	60											200	220	240	260	L100	80-190	90	83
														L120	110	83			

STOCKED SIZES	
Product Code	Description
PPS25-16-L8-15	25 X 160 Ball Bearing Assembly
PPS25-18-L8-15	25 X 180 Ball Bearing Assembly
PPS32-18-L10-19	32 X 180 Ball Bearing Assembly
PPS32-20-L10-19	32 X 200 Ball Bearing Assembly
PPS38-20-L10-19	38 X 200 Ball Bearing Assembly
PPS38-24-L10-19	38 X 240 Ball Bearing Assembly