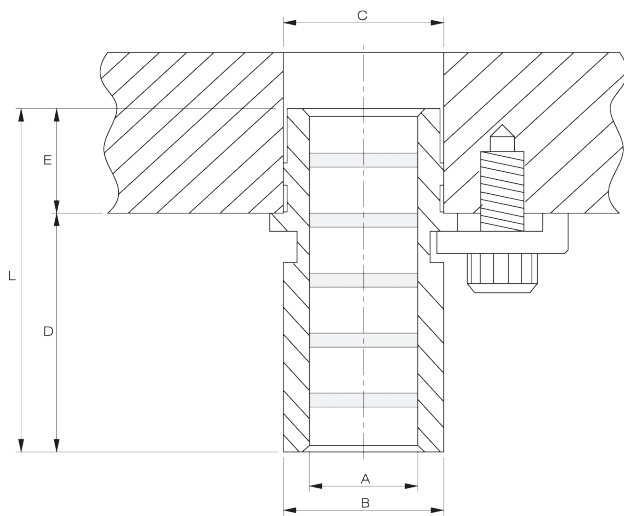




Hales Standard Die Set Oil-less Demountable Guide Bushes

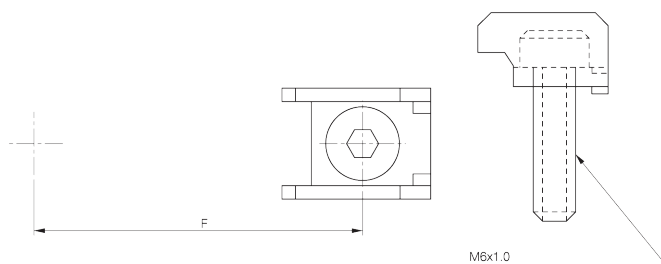
Hales self lubricating die components offer industry standard, maintenance free performance resulting in overall cost savings and operational safety. These bushes are standard components in all Hales die sets. 3 x Toe Clamps included

Materials: Deep core strength case hardened material with solid lubricant.



Tolerance	
A =	+0.008
	- 0
C =	+0.000
	- 0.013

Product Code	A	B	C	D	E	L	F
HRB 2532	25.037	44.45	38.10	31.75	22.25	54.00	27.40
HRB 2560	25.037	44.45	38.10	57.15	22.25	79.40	27.40
HRB 3238	31.387	53.97	44.45	38.10	28.58	66.70	32.10
HRB 3261	31.387	53.97	44.45	60.33	28.58	88.90	32.10
HRB 3838	37.737	60.00	50.80	38.10	34.93	73.00	35.30
HRB 3870	37.737	60.00	50.80	69.85	34.93	104.80	35.30
HRB 3890	37.737	60.00	50.80	88.90	34.93	123.80	35.30
HRB 4576	44.087	66.68	57.15	76.18	41.30	117.50	38.50



Product Code	Description
HRBTC	Toe Clamp