



**Hales Oil-less Bolt on Pin and Bush Assemblies**

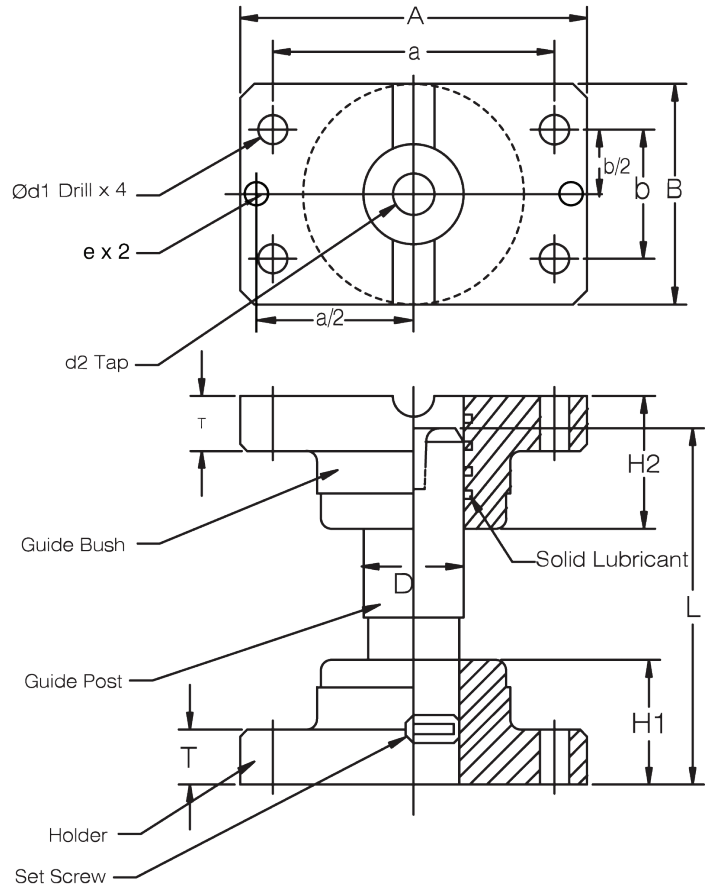
When assembling, two dowel pins are to be fitted in guide bush and holder.  
Please note: Dowels and screws are included in assembly.

**Materials:**

Guide post - Deep core strength case hardened materials.

Holder - Automotive high alloyed iron

Guide bush - Automotive high alloyed iron with solid lubricant.



Product Code	øD	L	A	B	H1	H2	a	b	T	ød1	e=H7	H7	screw 8pcs	dowel 4pcs
PSGR25-100	25	100	84	48	30	45	66	30	20	9	8.0	+0.015 0	M8x35	8x30
PSGR25-120		120												
PSGR32-120	32	120	100	58	40	50	76	36	20	11	8.0	+0.015 0	M10x40	8x30
PSGR32-140		140												
PSGR32-160		160												
PSGR38-120	38	120	130	75	50	60	100	44	25	11	10.0	+0.015 0	M10x45	10x40
PSGR38-140		140												
PSGR38-160		160												
PSGR38-180		180												
PSGR50-160	50	160	155	90	65	85	125	60	25	14	10.0	+0.015 0	M12x50	10x40
PSGR50-200		200												
PSGR50-250		250												
PSGR50-300		300												
PSGR60-200	60	200	190	120	75	100	150	80	30	18	13.0	+0.018 0	M16x60	13x50
PSGR60-250		250												
PSGR60-300		300												